



ELEVATE



WORKSHOP SYSTEMS



## COMPANY PROFILE



The line of accessories and motorbike workshop equipment LV8® was born in 2002 on the concept and design of Mr. Fabrizio Ferrari, owner of the company "Ferrari Sergio Metalmeccanica Srl" in Parma, leader in the engineering industry since 1971.

Ferrari Sergio Metalmeccanica S.r.l. designs, manufactures and sells under the brand LV8® ELEVATE, motorcycle lifts, motorcycle paddock stands, technical furniture for workshops, accessories and materials for the workshop.



The LV8® QUBE modular furniture line is completely designed and manufactured by LV8® ELEVATE in order to satisfy the practical needs and regulations of the modern cars and motorbikes workshops

The LV8® ELEVATE product range is totally designed and manufactured in-house with certified components and materials of high quality.

LV8® is the MADE IN ITALY in the world of motorcycle workshops equipment.

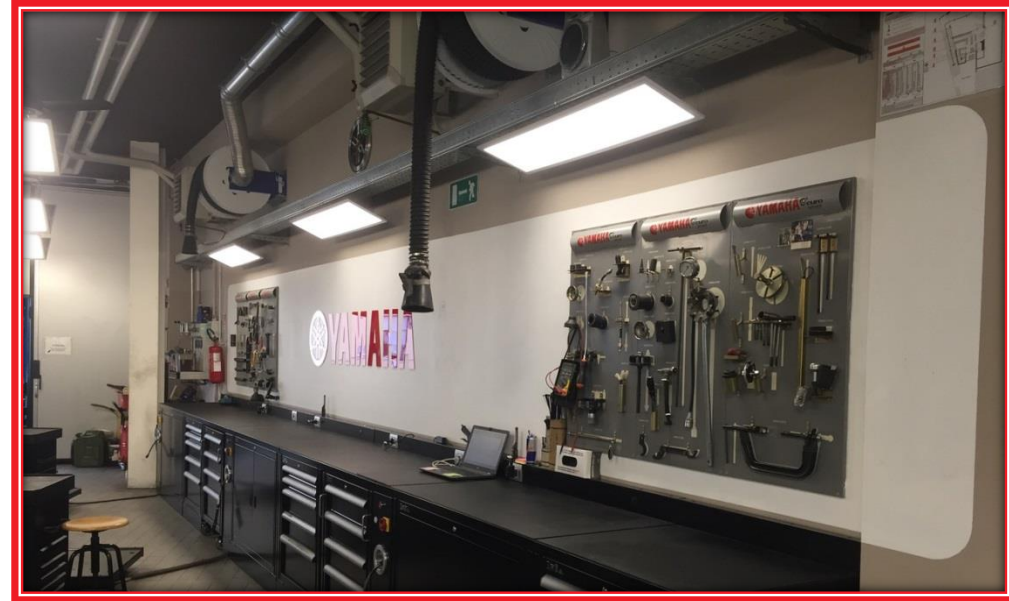


## A WORKSHOP DESIGNED AND ORGANIZED IN RATIONAL WAY IS MORE PRODUCTIVE AND OPTIMIZES WORK

### QUALITY AND RELIABILITY

In our business, the attention to design is a priority and our philosophy is to listen to customers' needs and offer them products and services of the highest quality, designed and supplied with an unparalleled level of service. The systems are ideal for any modern vehicle maintenance: their modular design can be variously configured to meet your specific needs.

Products made of high quality materials, designed for the complex environment of a workshop and used by the major automotive companies.





## GREATER CUSTOMER SATISFACTION

Make sure that your business inspires confidence. A professional-looking workshop helps to retain existing customers and attract new ones.



## AFTER SALES SERVICE

We know that efficiency is crucial to the profitability of your business. Our team of professional and experienced installers will minimize the period

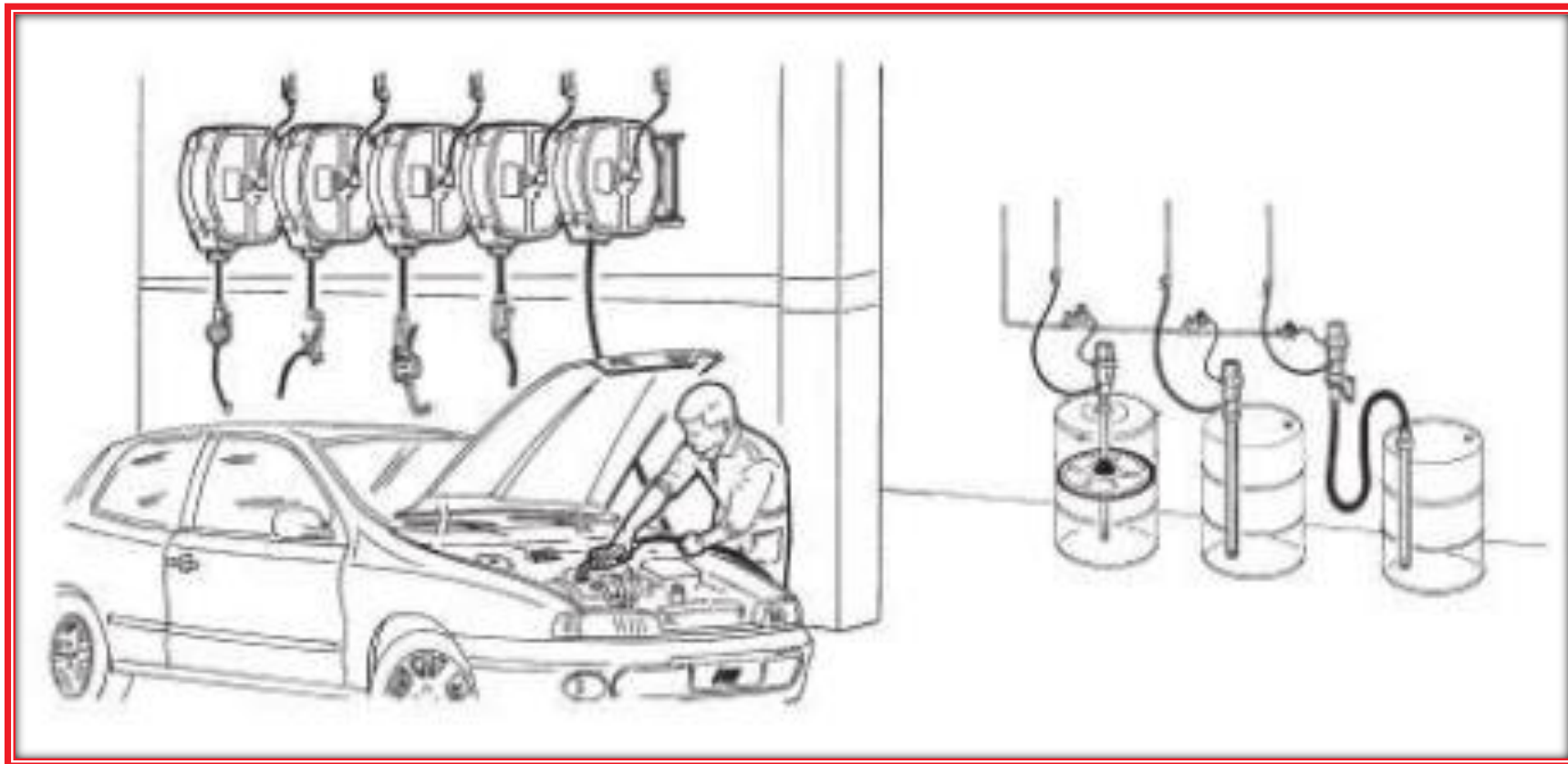
interrupting the activity in your workshop, ensuring high-level work from start to finish.



<b>DISTRIBUZIONE FLUIDI</b>	<b>8</b>
STORAGE	09
PUMPING SYSTEMS	11
DISTRIBUTION SYSTEMS	13
WASTE OIL SUCTION SYSTEMS	16
DISTRIBUTION GUNS	19
FLUID DISTRIBUTION PLANTS	21
DISTRIBUTION SYSTEMS AND SPECIAL FLUIDS EXTRACTION	22
<b>EXHAUST GAS EXTRACTION</b>	<b>23</b>
FLOOR SYSTEMS	24
COMPLETE WALL KITS	26
SPRING MECHANIC REELS	28
ELECTRIC MOTORIZED REELS	32
EXTRUDED ALUMINUM AERIAL TRACK	35
TRACK FIXING SYSTEMS	37
SLIDING TROLLEYS	38
SLIDING REELS	39
SLIDING FREE-STANDING ARMS	40
EXHAUST GAS EXTRACTION	42
FLEXIBLE HOSES FOR EXHAUST GAS EXTRACTION	46
ACCESSORIES FOR FLEXIBLE HOSES	49
EXHAUST GAS FANS	50
ACCESSORIES FOR FANS	53
MOBILE FANS	54
ACCESSORIES FOR EXHAUST GAS EXTRACTION	56
<b>COMPRESSED AIR DISTRIBUTION</b>	<b>60</b>
COMPRESSED AIR DISTRIBUTION COMPONENTS	61

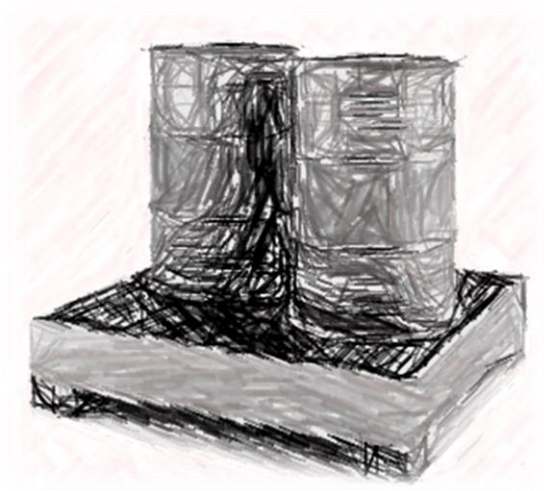
# LEGENDA

# FLUIDS DISTRIBUTION





# STORAGE



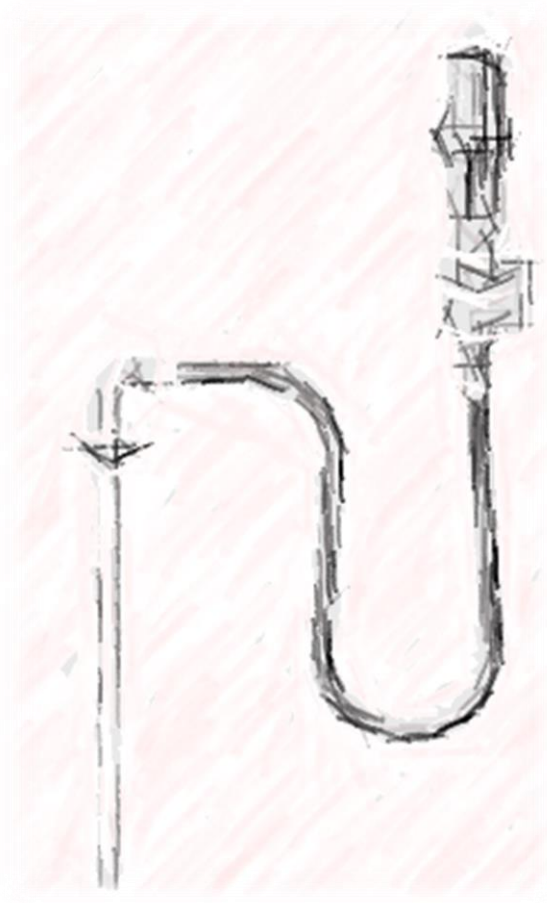
# STORAGE



MODELLO	Verniciatura	stoccaggio	Misure mm	Capacità
V-001	Painted containment and stocking tank	1 barrel 200lt	860x860x430	210lt
V-002	Galvanized containment and stocking tank	2 barrels 200lt	1200x800x340	230lt
V-004	Painted containment and stocking tank	4 barrels 200lt	1340x1250x300	280lt
V-008	Painted containment and stocking tank	8 barrels 200lt	2680x1250x300	570lt
V-1000	Painted containment and stocking tank	1 tank 1000lt	1650x1350x640	1000lt

<b>CPE-500</b> Double plastic wall	Tank for waste oil capacity 500lt	Ø980mm
<b>CAE-1000</b> Double steel wall	Tank for waste oil capacity 1000lt	1100x700x(h)1600m m
<b>CAE-1500</b> Double steel wall	Tank for waste oil capacity 1500lt	1720x770x(h)1700m m

# PUMPING SYSTEMS





# PUMPING SYSTEMS

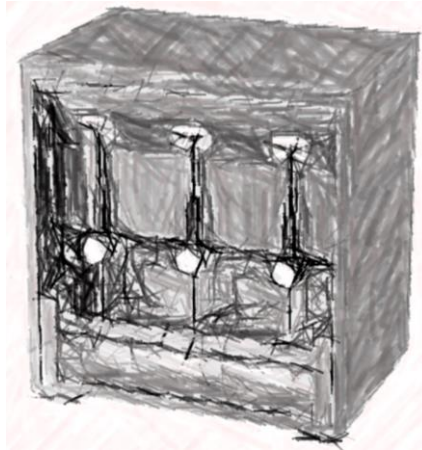


<b>KP61M110</b>	PNEUMATIC PUMP 6:1 FOR PLANT, SUCTION TUBE 1250MM
<b>KPM91M110</b>	PNEUMATIC PUMP 9:1 FOR PLANT, SUCTION TUBE 1250MM
<b>KP41M110NK</b>	PNEUMATIC PUMP 4:1 FOR ANTIFREEZE, FOR PLANT, SUCTION TUBE 940MM
<b>KP21M110</b>	PNEUMATIC PUMP 2:1 FOR LIQUID WINDOW CLEANER AND ADBLUE® FOR PLANT, SUCTION TUBE 940MM

Model	KP61	KPM91	KP41	KP21
IN – c. air	1/4" F	1/2" F	1/4" F	1/4" F
OUT – oli	1/2" M	3/4" M	1/2" M	Ø20mm
Capacity	18 l/min	36 l/min	22 l/min	50 l/min

<b>QEOE-1L</b>	MANAGEMENT KIT OVERFLOW LEVEL FOR EXHAUSTED OIL WITH LIGHT SIGNAL
<b>QEOE-2L</b>	MANAGEMENT KIT OVERFLOW LEVEL FOR EXHAUSTED OIL WITH DOUBLE LEVEL, ALARM AND SOLENOID VALVE BLOCK
<b>QEON-200</b>	MANAGEMENT KIT FOR LOW LEVEL FOR FRESH FLUIDS WITH SOLENOID VALVE BLOCK, SUITABLE FOR DRUMS OF 200LT
<b>QEON-1000</b>	MANAGEMENT KIT FOR LOW LEVEL FOR FRESH FLUIDS WITH SOLENOID VALVE BLOCK, SUITABLE FOR TANKS OF 1000LT

# DISTRIBUTION SYSTEMS



# DISTRIBUTION



<b>BD-3RB</b>	WALL MOUNTED OIL DISPENSER WITH 3 DISTRIBUTING COCKS AND REMOVABLE CONTAINING BASIN	
<b>BD-3RBDGT</b>	WALL MOUNTED OIL DISPENSER WITH 3 DISTRIBUTING COCKS , 3 DIGITAL DISPLAYS FLOW METER AND REMOVABLE BASIN	
<b>Model</b>	<b>BD-3RB</b>	<b>BD-3RBDGT</b>
Dimensions	500x300x(h)520mm	500x300x(h)620mm



<b>MC601210</b>	CLOSED HOSE REELS FOR OIL WITH 10 MT PIPE 1/2' - 160BAR – OUT 1/2'M			
<b>MC601212</b>	CLOSED HOSE REELS FOR OIL WITH 15 MT PIPE 1/2' - 160BAR – OUT 1/2'M			
<b>MC181210</b>	CLOSED HOSE REELS FOR ANTIFREEZE-AIR-WATER WITH 10MT PIPE R6 Ø13MM - 60BAR – OUT 1/2'M			
<b>MC181015</b>	CLOSED HOSE REELS FOR ANTIFREEZE-AIR-WATER WITH 15MT PIPE R6 Ø13MM - 60BAR – OUT 3/8'M			
<b>Model</b>	<b>MC601210</b>	<b>MC601212</b>	<b>MC181210</b>	<b>MC181015</b>
Dimensions	520x194x462mm	520x194x462mm	520x194x462mm	520x194x462mm



<b>V601210</b>	OPEN HOSE REELS FOR OIL WITH 10 MT PIPE 1/2' - 160BAR – OUT 1/2'M		
<b>V601215</b>	OPEN HOSE REELS FOR OIL WITH 15 MT PIPE 1/2' - 160BAR – OUT 1/2'M		
<b>V601207</b>	OPEN HOSE REELS FOR WASTE OIL WITH 7 MT PIPE 1/2' - 160BAR – OUT 1/2'M		

<b>Modello</b>	<b>V601210</b>	<b>V601215</b>	<b>V601207</b>
Dimensioni	460x202x462mm	460x202x462mm	460x202x462mm



# DISTRIBUTION

## ADT-6AV

MULTISERVICE DISPENSING UNIT FOR FLUIDS DISTRIBUTION, UP TO A MAXIMUM OF 6 EROGATION AND RECOVERY FLUID REELS. POSSIBILITY OF PERSONALIZING THE SETTING AS DESIRED.  
PORTAL CONSISTING OF TWO PIECES THAT CAN ALSO BE SUPPLIED SEPARATELY

Model	ADT-6AV
Dimensions	717x725x(h)2000mm



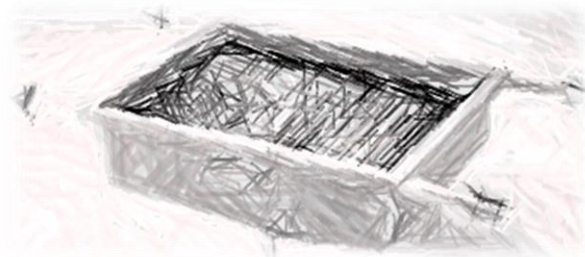
## ADU-6AV

MULTISERVICE DISPENSING UNIT FOR FLUIDS DISTRIBUTION BOTH IN VERSION WITH INFERIOR PANELING AND WITH SUPERIOR PANELING, UP TO A MAXIMUM OF 6 EROGATION AND RECOVERY FLUIDS REELS. IN THE INFERIOR PART UP TO A MAXIMUM OF OTHER 6 EROGATION AND RECOVERY FLUIDS REELS, OR UP TO 9 COMPRESSED AIR EROGATION REELS, UP TO A MAXIMUM OF 6 SOCKETS WITH PROTECTION

Model	ADU-6AV
Dimensions	1600x550x(h)2500mm



# WASTE OIL SUCTION SYSTEM



# WASTE OIL SUCTION DRAINERS

Model	Description	Dimensions
<b>R-101</b>	MOBILE PNEUMATIC SUCTION DRAINER FOR 80 LT WASTE OIL TANK, 2 FIXED WHEELS AND 2 ROTATING WHEELS.	500x590x(h)1040 mm 37Kg
<b>R-102</b>	MOBILE PNEUMATIC SUCTION DRAINER FOR 80 LT WASTE OIL TANK, 2 FIXED WHEELS AND 2 ROTATING WHEELS, VENTURI KIT, AND PROBES KIT WITH PROBES HOLDER FOR SUCTIONING WASTE OIL DIRECTLY FROM THE ENGINE OF THE CAR	540x620x(h)1250 mm 38Kg
<b>R-103</b>	MOBILE PNEUMATIC SUCTION/DRAINER FOR 80 LT WASTE OIL TANK, 2 FIXED WHEELS AND 2 ROTATING WHEELS, VENTURI KIT, AND PROBES KIT WITH PROBES HOLDER FOR SUCTIONING OF THE WASTE OIL DIRECTLY FROM THE ENGINE OF THE CAR. IT IS EQUIPPED WITH TRANSPARENT VIEWER.	540x620x(h)1250 mm 40Kg





# PIT DRAINER FOR WASTE FLUIDS



<b>ZRVA90F</b>	PIT DRAINER FOR WASTE FLUIDS WITH CAPACITY OF 90LT
<b>Model</b>	<b>ZRVA90F</b>
<b>Dimensions</b>	875-1375 x 791 x (h)325mm



<b>KP41MNKOE</b>	WALL KIT FOR WASTE OIL SUCTION WITH PNEUMATIC PUMP 4:1, 2 MT FLEXIBLE PIPE AND DISCONNECTION COUPLINGS M/F	
<b>KPPOE-41AV</b>	WALL KIT FOR WASTE OIL SUCTION WITH PNEUMATIC PUMP 4:1, CLOSED REEL WITH 7MT PIPE 1/2', PROBES KIT (N°04), PROBES HOLDER AND 1,5 MT FLEXIBLE HOSE FOR CONNECTION REEL-PUMP	
<b>Model</b>	<b>KP41MNKOE</b>	<b>KPPOE-41AV</b>
<b>IN – c. air</b>	1/4'F	1/4'F
<b>OUT – oli</b>	1/2'M	1/2'M
<b>Capacity</b>	22 l/min	22 l/min

# DISTRIBUTION GUNS



# DISTRIBUTION GUNS



<b>PEODGT</b>	OIL EROGATION GUN EQUIPPED WITH DIGITAL METER WITH FLEXIBLE SPOUT AND DRIPLESS SYSTEM	
<b>PEADGT</b>	ANTIFREEZE EROGATION GUN EQUIPPED WITH DIGITAL METER AND WITH HARD SPOUT	
<b>Model</b>	<b>PEODGT</b>	<b>PEADGT</b>
OUT – oils	1/2'F	1/2'F
Capacity	Max 30 l/min	Max 30 l/min



<b>PEOMN</b>	ANTIFREEZE/OIL EROGATION GUN EQUIPPED WITH DIGITAL METER WITH FLEXIBLE SPOUT AND DRIPLESS SYSTEM. IT IS IDEAL FOR COMPUTER MANAGEMENT SYSTEM	
<b>Model</b>	<b>PEOMN</b>	
OUT – oils	1/2'F	
Capacity	Max 30 l/min	

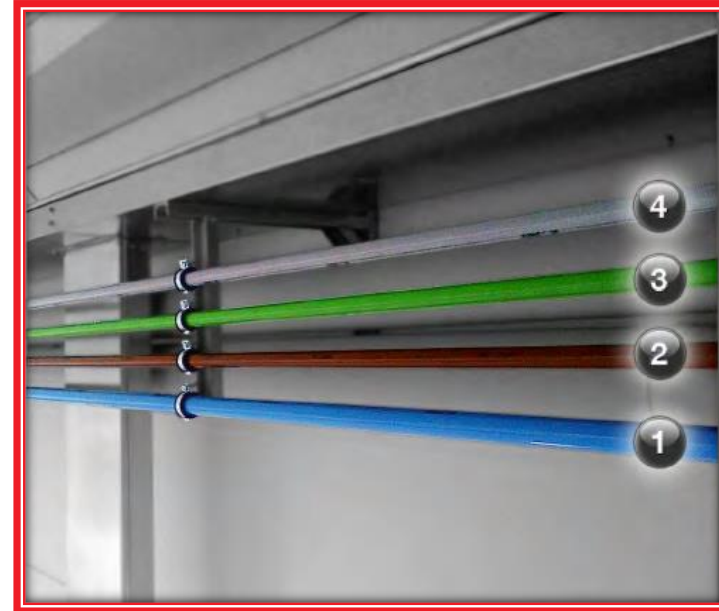


<b>SGM</b>	DROP COLLECTOR
------------	----------------

# FLUIDS DISTRIBUTION PLANTS

## RIGID HOSES SOLUTION

- 1 COMPRESSED AIR - ALUMINUM
- 2 WASTE OIL - ALUMINUM
- 3 ANTIFREEZE - ALUMINUM
- 4 FRESH OIL - STEEL



## FLEXIBLE HOSES SOLUTION



TO BE PLACED TO FLOOR OR INSIDE AN  
ELECTRIC DUCT





# SPECIAL FLUIDS DISTRIBUTION PLANTS

## KPPF-ADB

DISTRIBUTOR FOR 1000LT TANK WITH PNEUMATIC PUMP 2:1 EQUIPPED WITH SUCTION PORT FOR IBC, DELIVERY HOSE LENGTH 4MT Ø19MM SECTION, MANUAL DISPENSING PISTOL WITH ATTACHMENT 1 AND PUMP/PISTOL SUPPORT PANEL



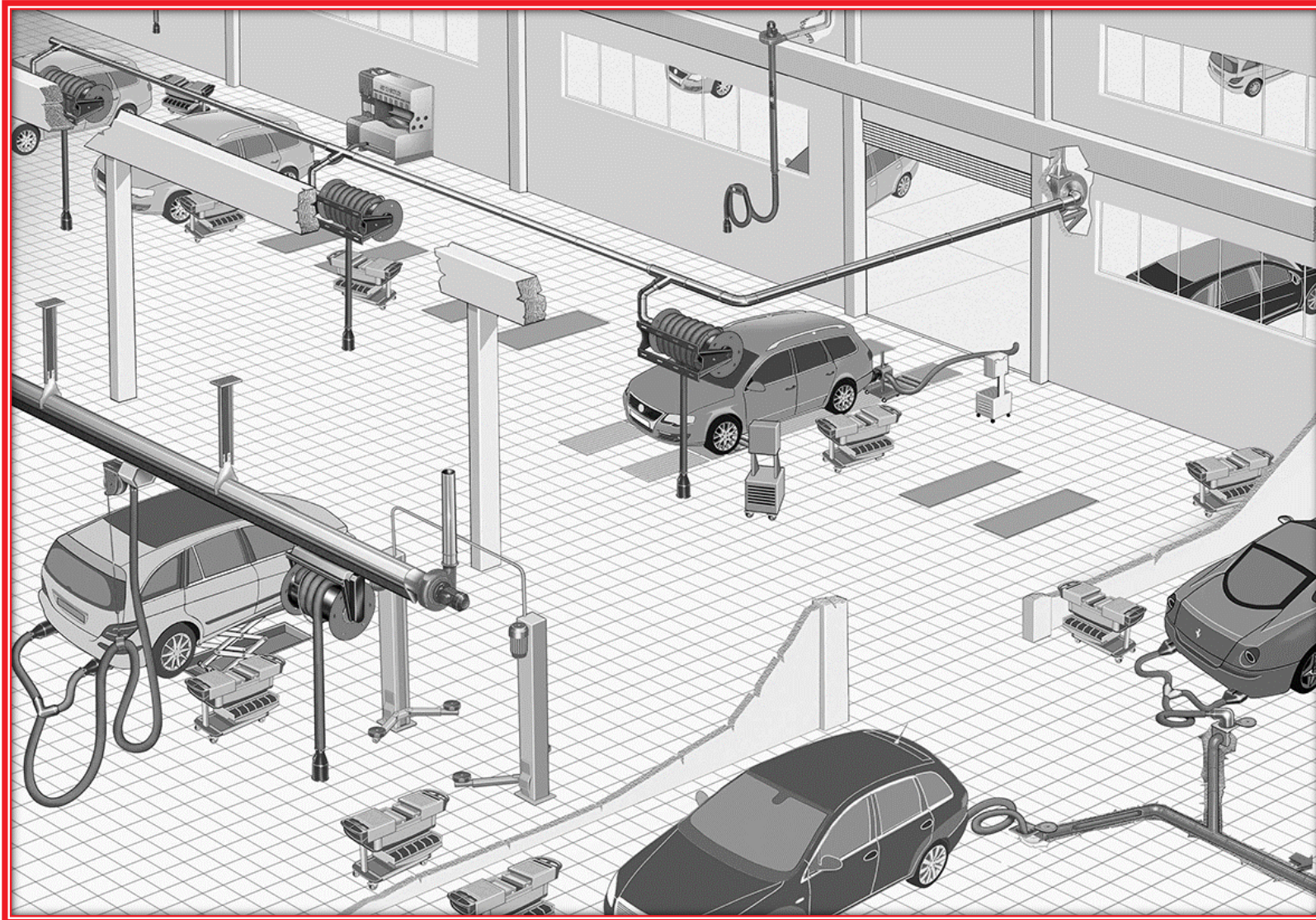
## KPPC-ADB

WHEELED DISTRIBUTOR WITH PNEUMATIC PUMP 2:1 EQUIPPED WITH A SUCTION LINE ADJUSTABLE IN LENGTH, TRUNK TROLLEY UP TO 200LT, DELIVERY HOSE LENGTH 4MT Ø19MM SECTION, MANUAL DISPENSING GUN WITH ATTACHMENT 1

### OPTIONAL

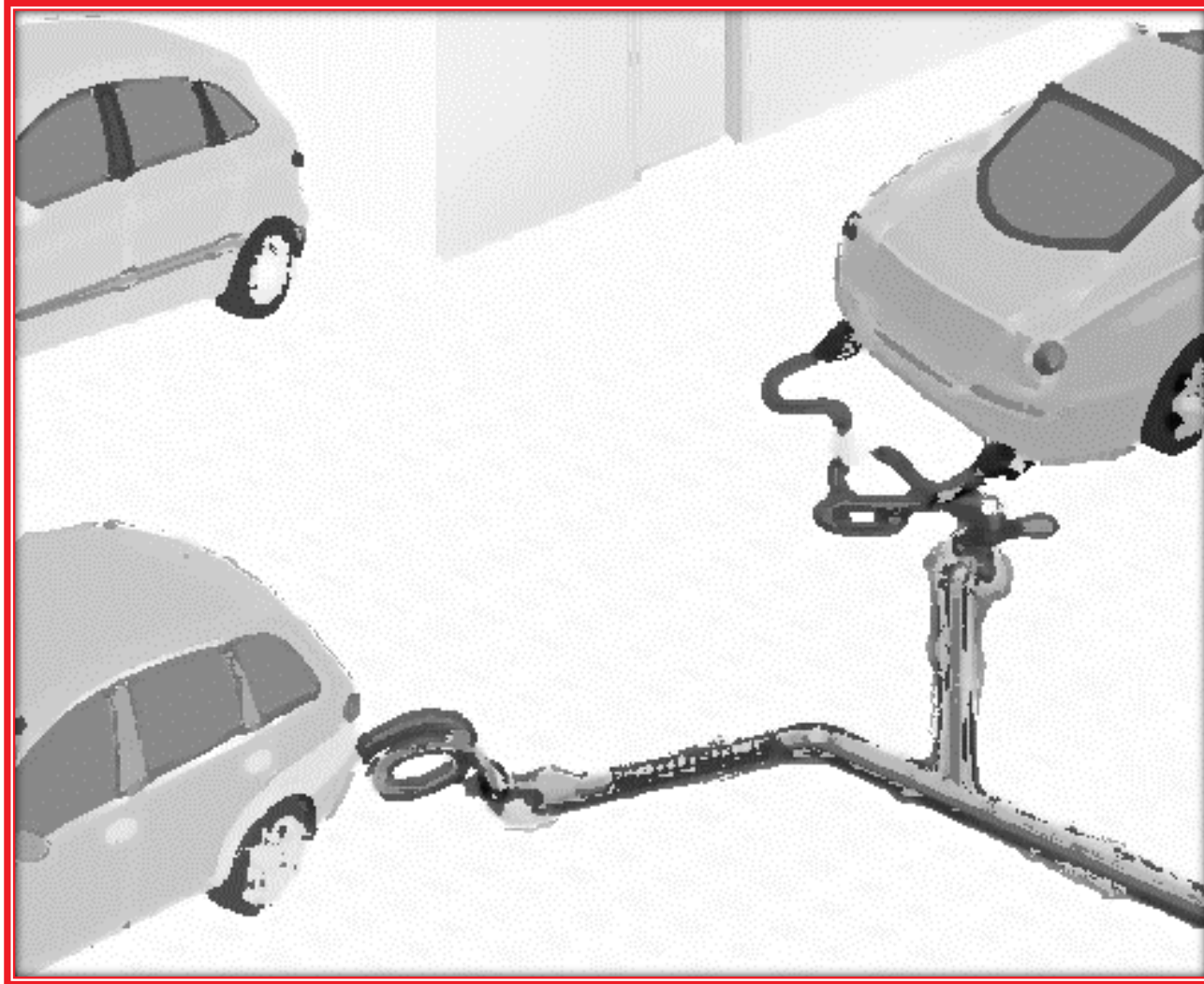


# EXHAUST GAS EXTRACTION





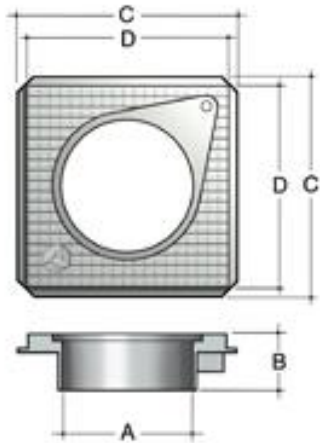
# FLOOR SYSTEMS



# FLOOR SYSTEMS



**BPP**



**BPP-75100**

FLOOR TRAP MADE OF ALUMINUM, TO BE COUPLED TO THE CONCEALED CURVE CIP-75/100/125 OR TO THE OVER FLOOR CURVE CPP-75/100/125/150

**BPP-125150**

FLOOR TRAP MADE OF CAST IRON, TO BE COUPLED TO THE CONCEALED CURVE BPP-150

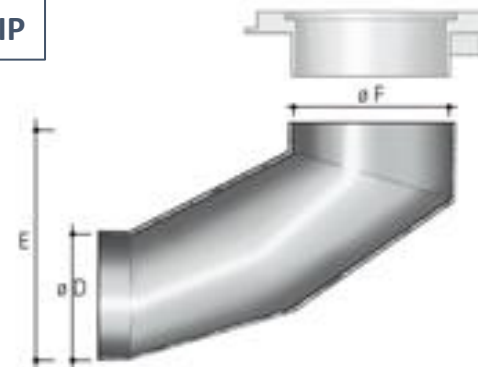
**CIP-75/100/125/150**

CONCEALED CURVE FOR HOSES Ø75/100/125/150

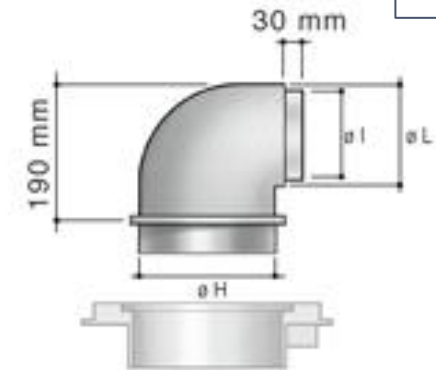
**CPP-75/100/125/150**

OVER FLOOR CURVE FOR HOSES Ø75/100/125/150MM

**CIP**



**CPP**

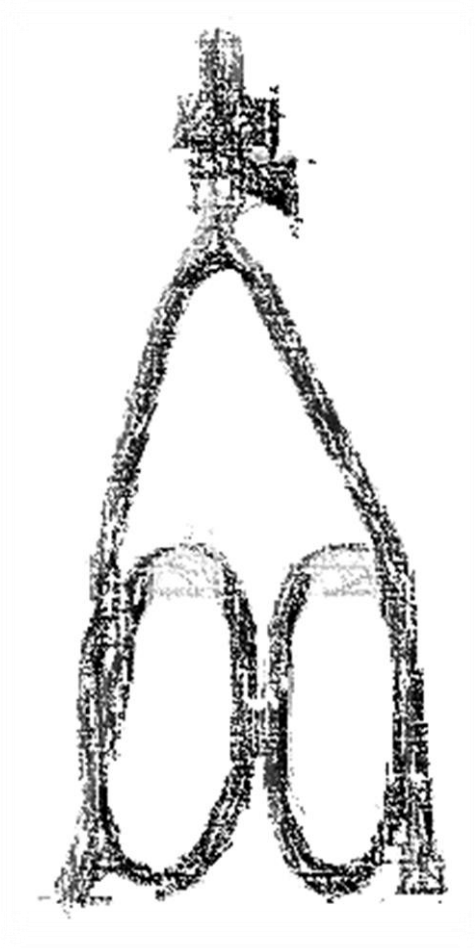


MOD.	Ø A	B	C
<b>BPP-75100</b>	165	90	250
<b>BPP-125150</b>	250	45	400

Ø D	E	Ø F	Ø H	Ø I	Ø L
200	348	200	150	75/100	147
250	400	315	150	125/150	147



# COMPLETE WALL KITS



# COMPLETE WALL KITS



EXTRACTION KIT TO BE HANGED TO THE WALL WITH FAN AND FLEXIBLE HOSES WITH 3 DIMENSIONS: 5 – 7,5 – 10 MT.

THE KIT INCLUDES ALSO THE WALL SUPPORT FOR THE FLEXIBLE HOSES WHEN IT IS NOT UTILIZED AND A RUBBER NOZZLE.

HOSES SECTIONS : 75MM – 100MM

FAN (Ø75-Ø100MM) : 1,5HP THREE PHASE 400V 50HZ

RAL COLOR 7040

CODE	ATB1-755	ATB1-757,5	ATB1-7510	ATB1-1005	ATB1-1007,5	ATB1-10010
HP	1,5	1,5	1,5	1,5	1,5	1,5
L=	Ø75-5mt	Ø75-7,5mt	Ø75-10mt	Ø100-5mt	Ø100-7,5mt	Ø100-10mt
Ø OUT	Ø160mm	Ø160mm	Ø160mm	Ø160mm	Ø160mm	Ø160mm



EXTRACTION KIT TO BE HANGED TO THE WALL WITH FAN AND FLEXIBLE HOSES WITH 3 DIMENSIONS: 5 – 7,5 – 10 MT.

THE KIT INCLUDES ALSO 2 WALL SUPPORTS FOR THE FLEXIBLE HOSES WHEN THEY ARE NOT UTILIZED AND 2 RUBBER NOZZLES.

HOSES SECTIONS : 75MM – 100MM

FAN (Ø75-Ø100MM) : 2HP THREE PHASE 400V 50HZ

RAL COLOR 7040

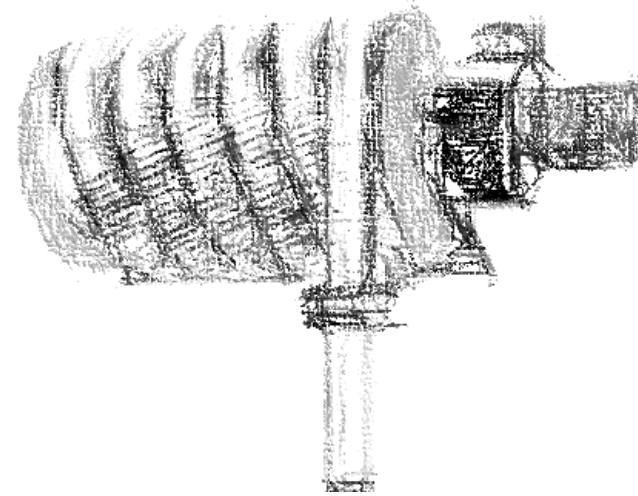
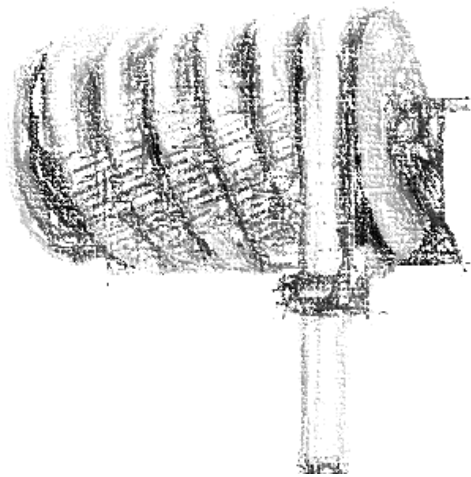
CODE	ATB2-755	ATB2-757,5	ATB2-7510	ATB2-1005	ATB2-1007,5	ATB2-10010
HP	2	2	2	2	2	2
L=	Ø75-2x5mt	Ø75-2x7,5mt	Ø75-2x10mt	Ø100-2x5mt	Ø100-2x7,5mt	Ø100-2x10mt
Ø OUT	Ø160mm	Ø160mm	Ø160mm	Ø160mm	Ø160mm	Ø160mm



**ATB1** = volume 0,72mc 120x80x75cm – 48Kg

**ATB2** = volume 0,82mc 120x80x85cm – 60Kg

# SPRING MECHANIC REELS



# SPRING MECHANIC REELS



REELS TO BE HANGED TO THE WALL OR TO THE CEILING, TO BE CONNECTED TO THE CENTRALIZED PLANT OR TO BE COUPLED TO THE FAN.

STEEL STRUCTURE, SHEET METAL DISC, ROTATION SYSTEM WITH ALUMINUM GREASE DISTRIBUTOR, 4 BARRELS SIZES FOR THE DIFFERENT DIAMETERS AND LENGHTS OF THE FLEXIBLE HOSES:

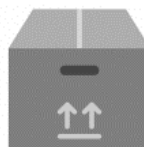
7,5 – 10 – 12,5 – 15 MT.

HOSES SECTIONS : 75MM – 100MM – 125MM – 150MM

FAN (Ø75-Ø100MM) : 1.5HP THREE PHASE 400V 50HZ

FAN (Ø125-Ø150MM) : 2HP THREE PHASE 400V 50HZ

COLOR RAL 7040

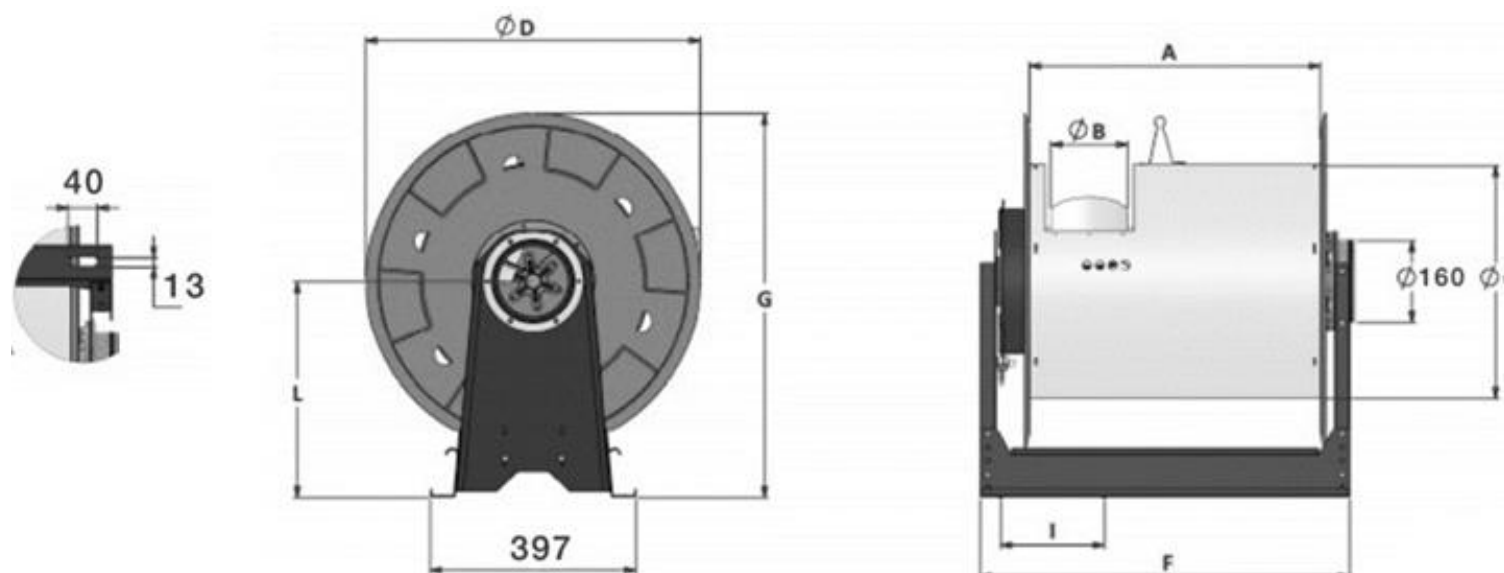


Volume 1,01mc  
120x80x105cm



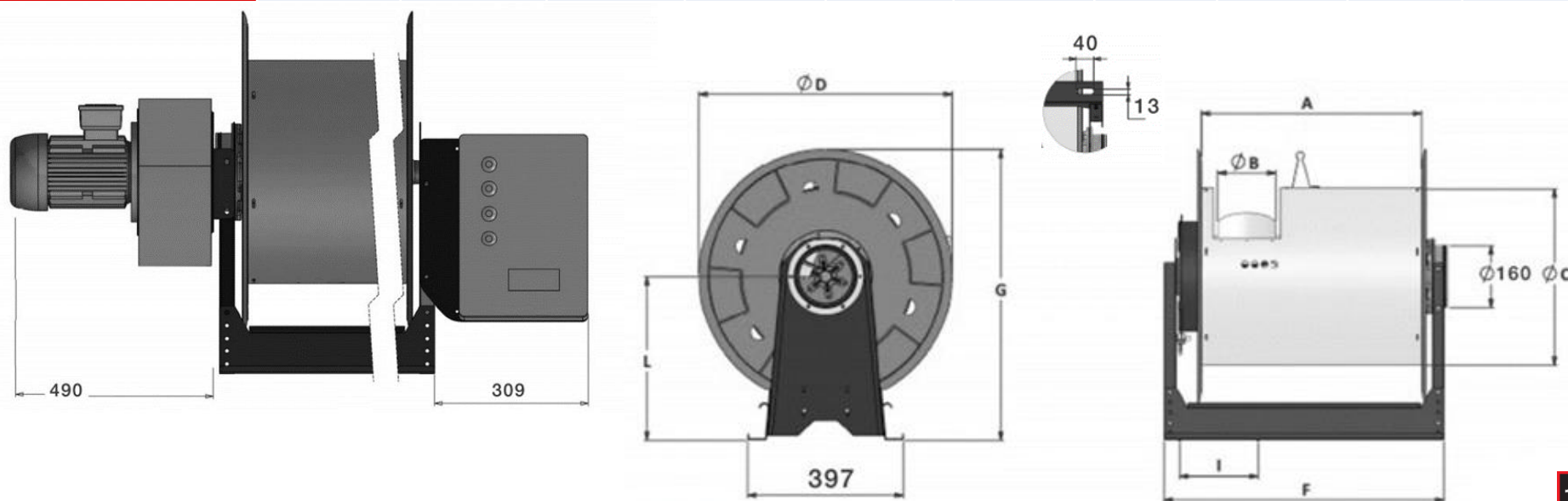
# SPRING MECHANIC REELS

MOD.	A	B	C	D	F	G	I	n° fori	L	Kg
AMF-757,5	560	75	450	647	713	740	200	4	415	50
AMF-7510	560	75	450	647	713	740	200	4	415	52
AMF-7512,5	720	75	450	647	873	740	265	4	415	53
AMF-1007,5	560	100	450	647	713	754	200	4	431	56
AMF-10010	720	100	450	647	873	754	265	4	431	58
AMF-10012,5	960	100	450	647	1113	754	258	5	431	60
AMF-1257,5	720	125	450	647	873	780	265	4	457	66
AMF-12510	720	125	450	647	873	780	265	4	457	68
AMF-12512,5	960	125	450	647	1113	780	258	5	457	70
AMF-15010	960	150	450	647	1113	805	258	5	483	78
AMF-15012,5	1200	150	450	647	1353	805	319	5	483	81
AMF-15015	1200	150	450	647	1353	805	319	5	483	84



# SPRING MECHANIC REELS WITH FAN

MOD.	A	B	C	D	F	G	I	n° fori	L	Kg
AMFV-757,5	560	75	450	647	713	740	200	4	415	67
AMFV-7510	560	75	450	647	713	740	200	4	415	69
AMFV-7512,5	720	75	450	647	873	740	265	4	415	70
AMFV-1007,5	560	100	450	647	713	754	200	4	431	68
AMFV-10010	720	100	450	647	873	754	265	4	431	73
AMFV-10012,5	960	100	450	647	1113	754	258	5	431	77
AMFV-1257,5	720	125	450	647	873	780	265	4	457	84
AMFV-12510	720	125	450	647	873	780	265	4	457	90
AMFV-12512,5	960	125	450	647	1113	780	258	5	457	96
AMFV-15010	960	150	450	647	1113	805	258	5	483	95
AMFV-15012,5	1200	150	450	647	1353	805	319	5	483	104
AMFV-15015	1200	150	450	647	1353	805	319	5	483	111



# ELECTRIC MOTORIZED REELS

REELS TO BE HANGED TO THE WALL OR TO THE CEILING, TO BE CONNECTED TO THE CENTRALIZED PLANT OR TO BE COUPLED TO THE FAN.

STEEL STRUCTURE, SHEET METAL DISC, ROTATION SYSTEM WITH ALUMINUM GREASE DISTRIBUTOR, 4 BARRELS SIZES FOR THE DIFFERENT DIAMETERS AND LENGTHS OF THE FLEXIBLE HOSES OF:

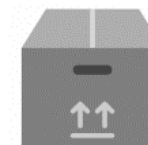
7,5 – 10 – 12,5 – 15 MT.

HOSES SECTIONS : 75MM – 100MM – 125MM – 150MM

FAN (Ø75-Ø100MM) : 1.5HP THREE PHASE 400V 50HZ

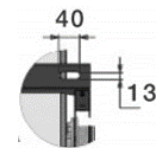
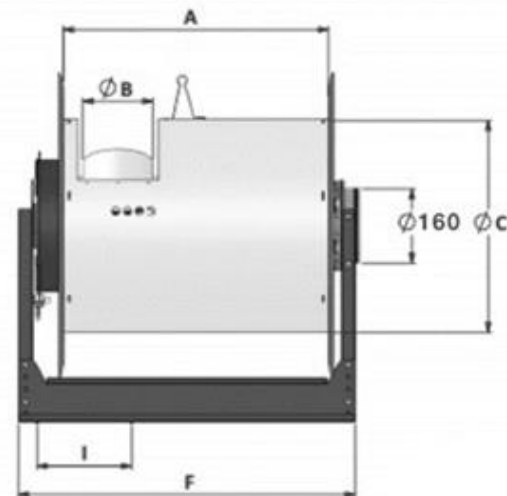
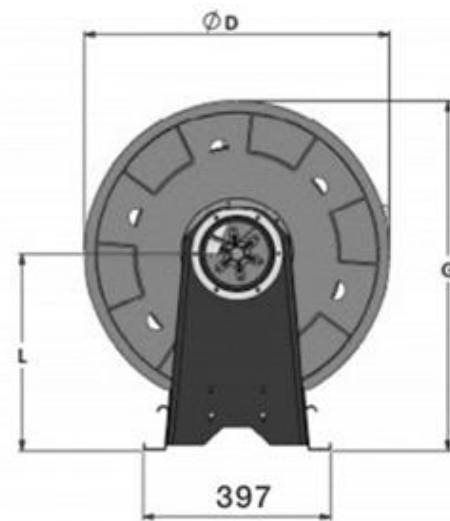
FAN (Ø125-Ø150MM) : 2HP THREE PHASE 400V 50HZ

COLOR RAL 7040



# ELECTRIC MOTORIZED REELS

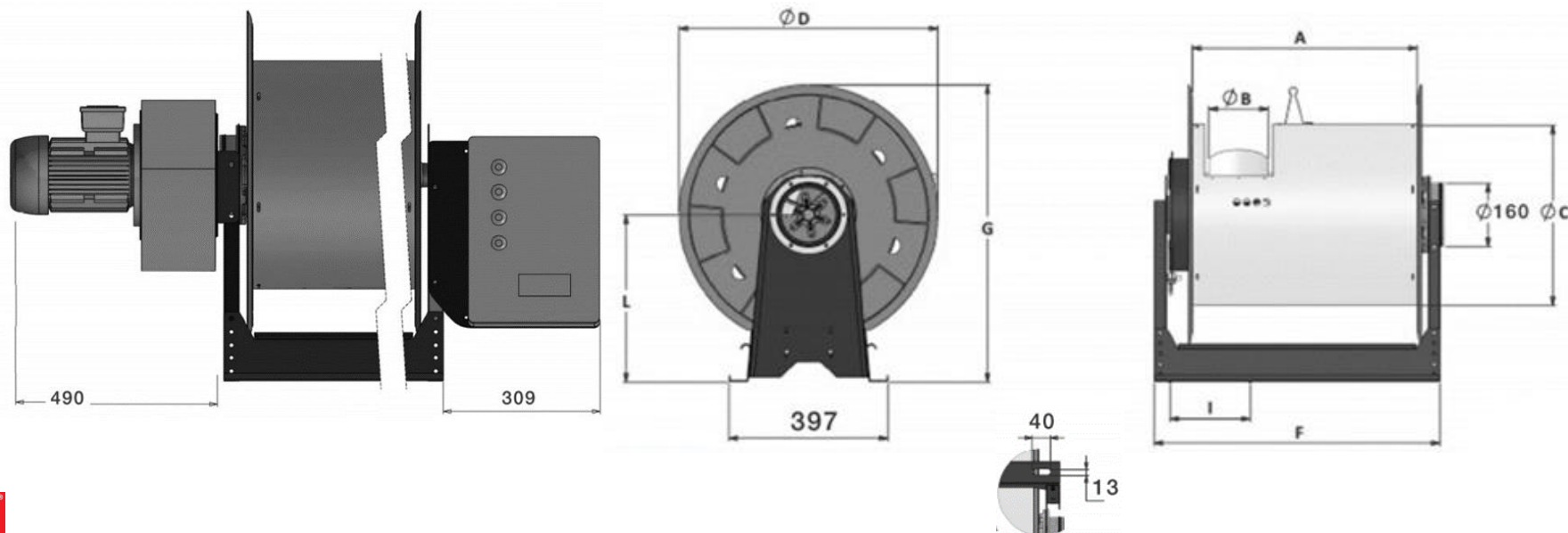
MOD.	A	B	C	D	F	G	I	n° fori	L	Kg
AMFE-757,5	560	75	450	647	713	740	200	4	415	52
AMFE-7510	560	75	450	647	713	740	200	4	415	54
AMFE-7512,5	720	75	450	647	873	740	265	4	415	55
AMFE-1007,5	560	100	450	647	713	754	200	4	431	58
AMFE-10010	720	100	450	647	873	754	265	4	431	60
AMFE-10012,5	960	100	450	647	1113	754	258	5	431	62
AMFE-1257,5	720	125	450	647	873	780	265	4	457	68
AMFE-12510	720	125	450	647	873	780	265	4	457	70
AMFE-12512,5	960	125	450	647	1113	780	258	5	457	72
AMFE-15010	960	150	450	647	1113	805	258	5	483	80
AMFE-15012,5	1200	150	450	647	1353	805	319	5	483	83
AMFE-15015	1200	150	450	647	1353	805	319	5	483	86



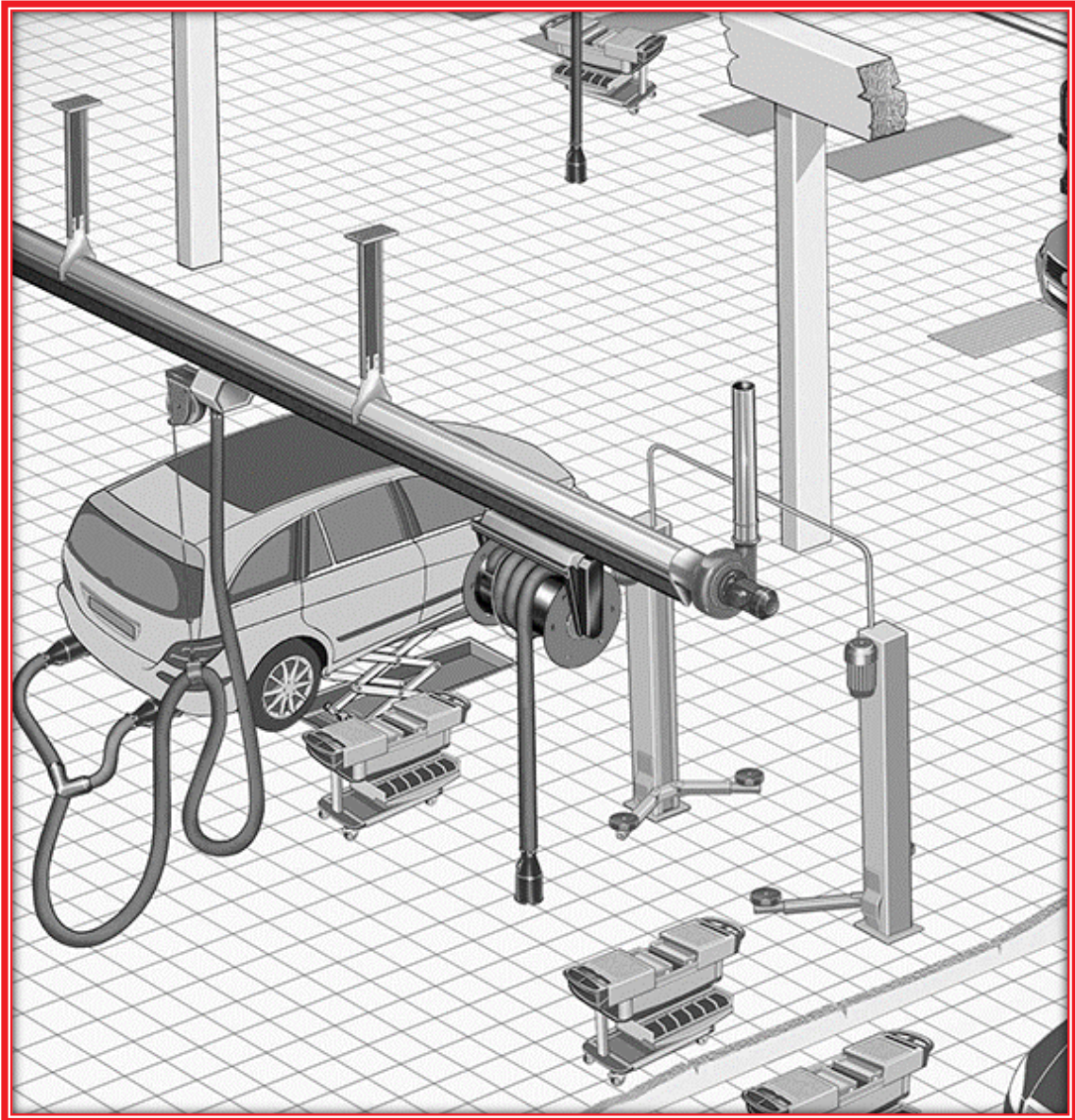


# ELECTRIC MOTORIZED REELS WITH FAN

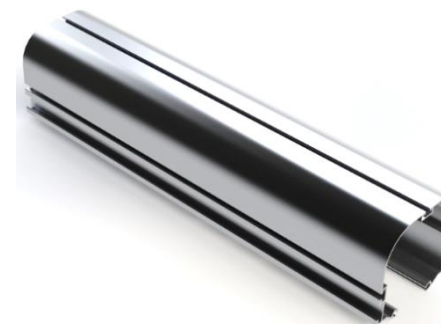
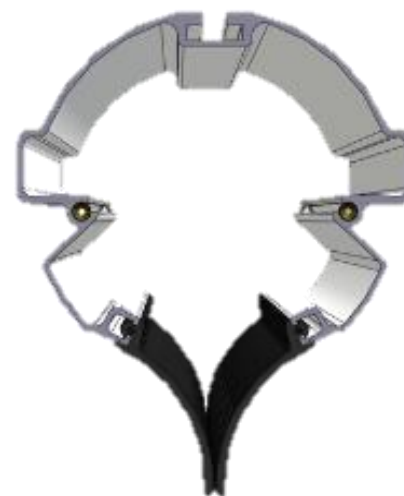
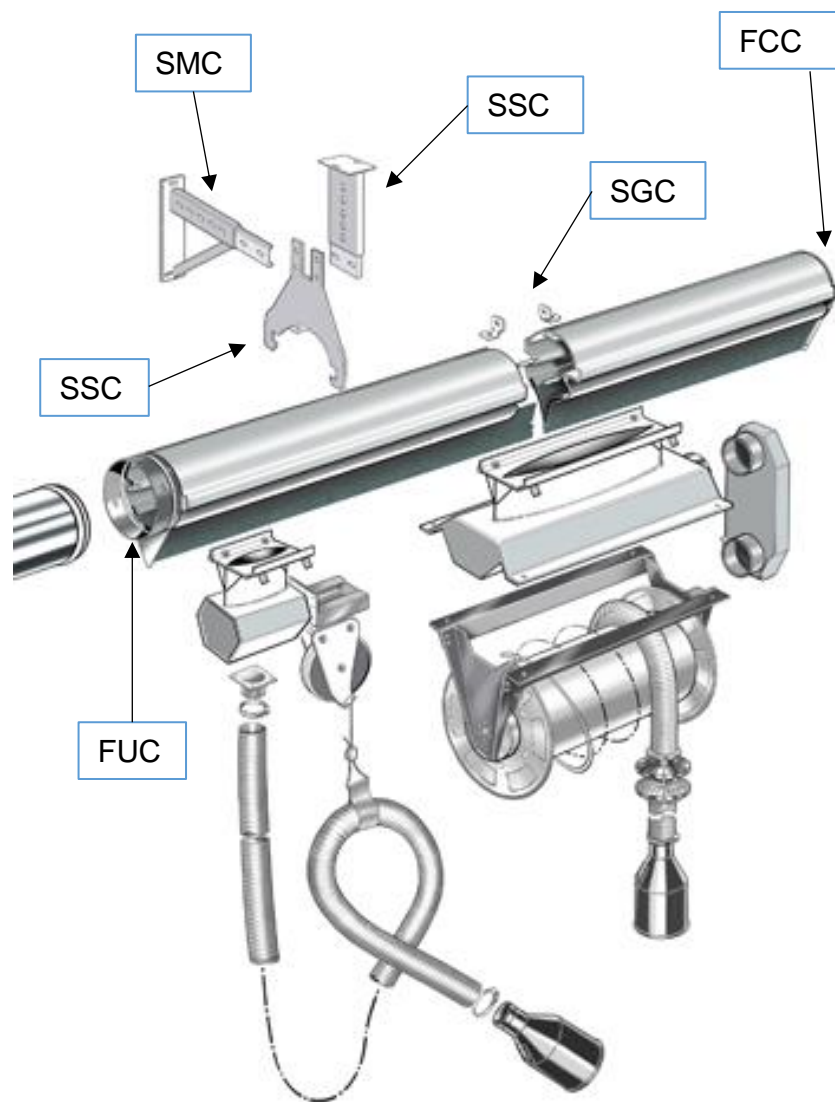
MOD.	A	B	C	D	F	G	I	n° fori	L	Kg
AMFEV-757,5	560	75	450	647	713	740	200	4	415	69
AMFEV-7510	560	75	450	647	713	740	200	4	415	71
AMFEV-7512,5	720	75	450	647	873	740	265	4	415	72
AMFEV-1007,5	560	100	450	647	713	754	200	4	431	70
AMFEV-10010	720	100	450	647	873	754	265	4	431	75
AMFEV-10012,5	960	100	450	647	1113	754	258	5	431	79
AMFEV-1257,5	720	125	450	647	873	780	265	4	457	86
AMFEV-12510	720	125	450	647	873	780	265	4	457	92
AMFEV-12512,5	960	125	450	647	1113	780	258	5	457	98
AMFEV-15010	960	150	450	647	1113	805	258	5	483	97
AMFEV-15012,5	1200	150	450	647	1353	805	319	5	483	106
AMFEV-15015	1200	150	450	647	1353	805	319	5	483	113



# EXTRUDED ALUMINUM AERIAL TRACK



# EXTRUDED ALUMINUM AERIAL TRACK



## CAE220

EXTRUDED ALUMINUM TRACK  
WITH EQUIVALENT DIAMETER Ø220MM  
CAE220-2 – BINARY WITH LENGHT 2 MT  
CAE220-4 – BINARY WITH LENGHT 4 MT

SLIDING ELEMENTS:

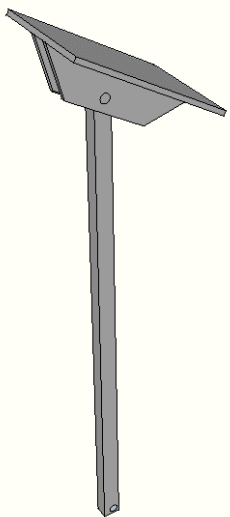
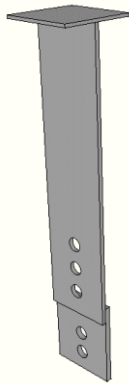
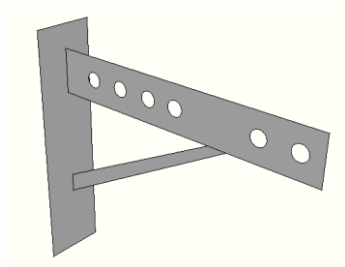
POSSIBILITY TO INSERT:

- 1) SLIDING TROLLEYS WITH SUSPENDED HOSES,
- 2) SLIDING REELS WITH SPRING MECHANIC REWIND OR MOTORIZED WITH REMOTE CONTROL,
- 3) SLIDING TROLLEY WITH ARM EQUIPPED WITH INTERNAL FREE-STANDING STRUCTURE AND EXTERNAL FLEXIBLE HOSES



Peso 40Kg  
Volume 0,51mc 430x28x42cm

# TRACK FIXING SYSTEMS



## SMC – WALL FIXING BRACKET FOR THE TRACK CAE220

**SMC1** WALL BRACKET WITH LENGHT 550MM

**SMC2** WALL BRACKET WITH LENGHT 960MM

Bracket model	SMC1	SMC2
Total lenght of the bracket	550mm	960mm

## SSC – CEILING FIXING BRACKET FOR THE TRACK CAE220

**SSC1** CEILING BRACKET WITH LENGHT 700MM

**SSC2** CEILING BRACKET WITH LENGHT 1500MM

Bracket model	SSC1	SSC2
Total lenght of the bracket	700mm	1500mm

## SSRC – CEILING FIXING BRACKET ADJUSTABLE FOR THE TRACK CAE220

**SSRC1** CEILING BRACKET WITH MAXIMUM LENGHT OF 3000MM

POSSIBILITY TO ADJUST THE INCLINATION IN CASE OF SLOPED CEILING

Bracket model	SSRC1
Total lenght of the bracket	Up to 3000mm



# SLIDING TROLLEYS



## CS

SLIDING TROLLEY FOR TRACK CAE220  
SLIDING WHEELS OUTSIDE THE TRACK

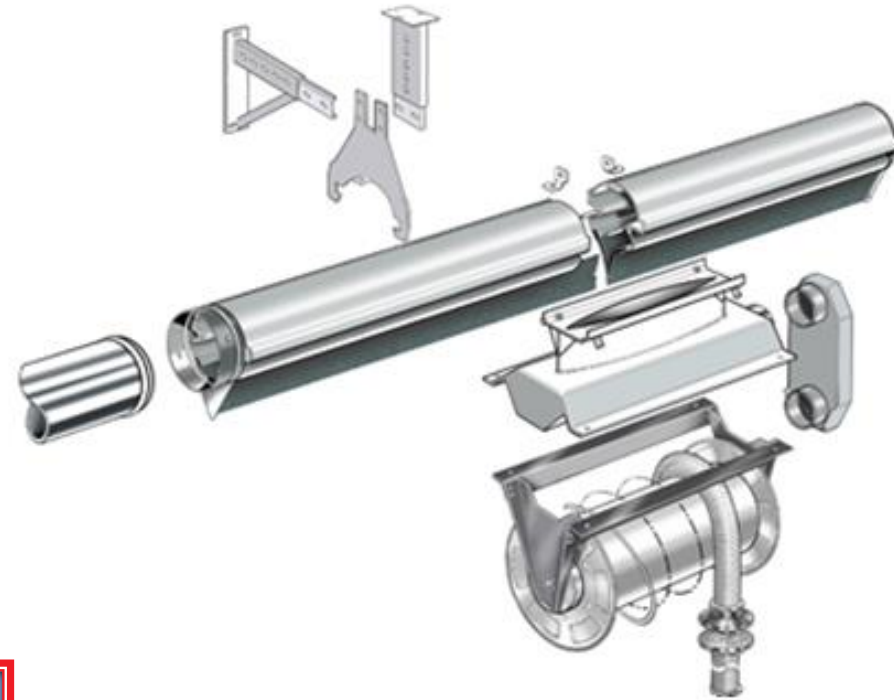
POSSIBILITY TO CONNECT THE FOLLOWING FLEXIBLE HOSES:

- Ø75MM UP TO A MAXIMUM OF 10 MT (**CS-75**\_\_)
- Ø100MM UP TO A MAXIMUM OF 10 MT (**CS-100**\_\_)
- Ø125MM UP TO A MAXIMUM OF 10 MT (**CS-125**\_\_)
- Ø150MM UP TO A MAXIMUM OF 7,5 MT (**CS-150**\_\_)

• OPTIONAL:

- OUTRIGGER OF FLEXIBLE HOSES SUSPENSION (**BST**)
  - RUBBER OR STEEL UPTAKE NOZZLE

# SLIDING REELS



## AMS

SLIDING REEL FOR TRACK CAE220  
SLIDING WHEELS OUTSIDE THE TRUCK

POSSIBILITY TO CONNECT THE FOLLOWING  
FLEXIBLE HOSES WITH MULTIPLES OF:

- Ø75MM UP TO A MAXIMUM OF 15 MT (**AMS-75**\_\_)
- Ø100MM UP TO A MAXIMUM OF 15 MT (**AM-100**\_\_)
- Ø125MM UP TO A MAXIMUM OF 15 MT (**AMS-125**\_\_)
- Ø150MM UP TO A MAXIMUM OF 12,5 MT (**AMS-150**\_\_)

• OPTIONAL:

- RUBBER OR STEEL UPTAKE NOZZLE



Volume 1,01mc  
120x80x105cm

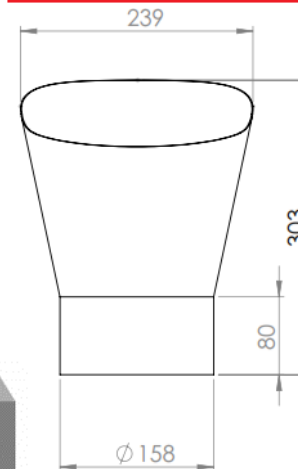
# SLIDING FREE-STANDING ARM



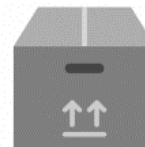
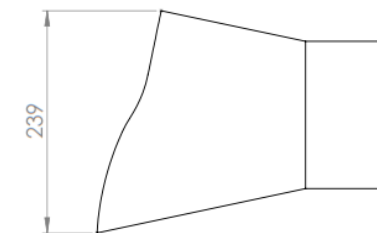
## SLIDING FREE-STANDING ARM FOR TRACK CAE220 SLIDING WHEELS OUTSIDE THE TRACK

TO BE PLACED IN THE SLIDING TROLLEY MODEL CS-160BR THE ASPIRATION SECTION IS Ø160MM, IT HAS AN EXCELLENT LIGHTNESS AND FLEXIBILITY, THE GOOD MANEUVERABILITY ALLOWS A STABLE POSITIONING AT THE POINT OF UPTAKING, THANKS TO THE TRIPLE AXIS ADJUSTMENT. UPTAKE NOZZLE METAL TERMINAL WITH RUBBER COATING THICKNESS 4CM WITH CLOSURE DAMPER AND ANTI-INTRUDER GRILLE.

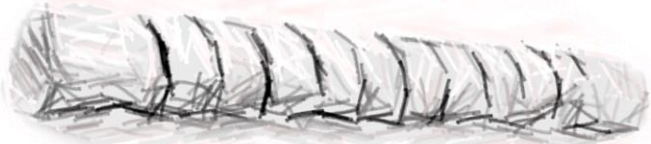
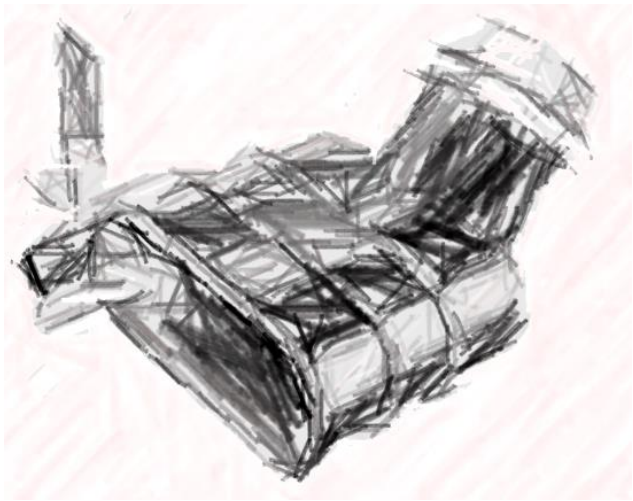
- Ø160MM AND ARM LENGTH 4 MT (**BSC-1604**)



Aspiration nozzle section



# NOZZLES AND FLEXIBLE HOSES OF EXHAUST GAS EXTRACTION





# NOZZLES OF EXHAUST GAS EXTRACTION

**BNG** – NEOPRENE RUBBER NOZZLE EQUIPPED WITH OPENING AND INTAKE FOR C.O. PROBE – EXTRACTION SECTION Ø140MM --- Ø180MM

- BNG-75** RUBBER NOZZLE FOR HOSE Ø75MM --- Ø140MM
- BNG-100** RUBBER NOZZLE FOR HOSE Ø100MM --- Ø140MM
- BNG-125** RUBBER NOZZLE FOR HOSE Ø125MM --- Ø180MM
- BNG-150** RUBBER NOZZLE FOR HOSE Ø150MM --- Ø180MM

**BNGT** – NEOPRENE RUBBER NOZZLE EQUIPPED WITH OPENING AND INTAKE FOR C.O. PROBE AND CLOSING CAP – EXTRACTION SECTION Ø135MM

- BNGT-75** RUBBER NOZZLE FOR HOSE Ø75MM WITH CAP
- BNGT-100** RUBBER NOZZLE FOR HOSE Ø100MM WITH CAP
- BNGT-125** RUBBER NOZZLE FOR HOSE Ø125MM WITH CAP

**BNGK** – NEOPRENE RUBBER NOZZLE EQUIPPED WITH OPENING AND INTAKE FOR C.O. PROBE AND INTERNAL LOCKING SPRING AT THE EXHAUST– EXTRACTION SECTION Ø135MM

- BNGK-75** RUBBER NOZZLE FOR HOSE Ø75MM
- BNGK-100** RUBBER NOZZLE FOR HOSE Ø100MM

**BNGP** – NEOPRENE RUBBER NOZZLE EQUIPPED WITH OPENING AND INTAKE FOR C.O. PROBE AND GRIPPER – EXTRACTION SECTION Ø180MM

- BNGP-75** RUBBER NOZZLE FOR HOSE Ø75MM --- Ø180MM
- BNGP-100** RUBBER NOZZLE FOR HOSE Ø100MM --- Ø180MM
- BNGP-125** RUBBER NOZZLE FOR HOSE Ø125MM --- Ø180MM
- BNGP-150** RUBBER NOZZLE FOR HOSE Ø150MM --- Ø180MM

**BNGOP** – NEOPRENE RUBBER NOZZLE WITH GRIPPER – EXTRACTION SECTION 150x80MM

- BNGOP-75** RUBBER NOZZLE FOR HOSE Ø75MM
- BNGOP-100** RUBBER NOZZLE FOR HOSE Ø100MM



Nozzle model	BNGOP-75	BNGOP-100
Extraction section	150x80mm	150x80mm

# NOZZLES OF EXHAUST GAS EXTRACTION



**BNOG** – NEOPRENE RUBBER NOZZLE WITH CURVE 60° FOR DOUBLE DISCHARGES UNDER THE BUMPER – EXTRACTION SECTION 200X115MM

**BNOG-75** RUBBER NOZZLE FOR HOSE Ø75MM  
**BNOG-100** RUBBER NOZZLE FOR HOSE Ø100MM

Nozzle model	BNOG-75	BNOG-100
Extraction section	200x115mm	200x115mm



**BNOGP** – NEOPRENE RUBBER NOZZLE WITH CURVE 60° AND GRIPPER – EXTRACTION SECTION 200X115MM

**BNOGP-75** RUBBER NOZZLE FOR HOSE Ø75MM  
**BNOGP-100** RUBBER NOZZLE FOR HOSE Ø100MM

Nozzle model	BNOGP-75	BNOGP-100
Extraction section	200x115mm	200x115mm



**BNIG** – NEOPRENE RUBBER NOZZLE WITH CURVE 60° AND INTERNAL GRIPPER FOR HIDDEN DISCHARGES IN THE BUMPER – EXTRACTION SECTION 270X140MM

**BNIG-75** RUBBER NOZZLE FOR HOSE Ø75MM  
**BNIG-100** RUBBER NOZZLE FOR HOSE Ø100MM

Modello bocchetta	BNIG-75	BNIG-100
Nozzle model	BNIG-75	BNIG-100



# EXHAUST GAS EXTRACTION NOZZLE

**BPA1** – STEEL SINGLE NOZZLE WITH PADESTAL OF HEIGHT REGULATION  
 – EXTRACTION SECTION: FOR CAR 200x120MM; FOR TRUCK 270x170MM

**BPA1-75** STEEL NOZZLE FOR HOSE Ø75MM  
**BPA1-100** STEEL NOZZLE FOR HOSE Ø100MM  
**BPA1-125** STEEL NOZZLE FOR HOSE Ø125MM  
**BPA1-150** STEEL NOZZLE FOR HOSE Ø150MM

Nozzle model	BPA1-75 --- BPA1-100	BPA1-125 --- BPA1-150
Extraction section	200x120mm	270x170mm

**BPA2** – STEEL DOUBLE NOZZLE WITH PEDESTAL OF HEIGHT REGULATION –  
 EXTRACTION SECTION Ø180MM

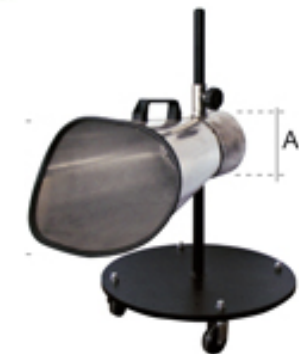
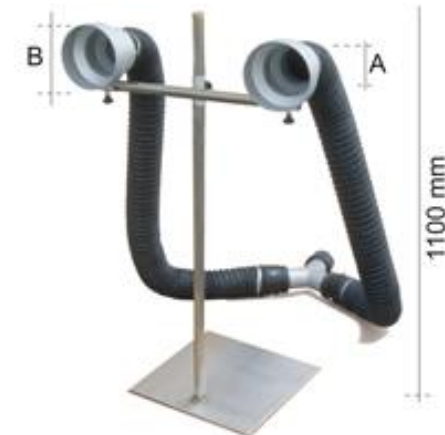
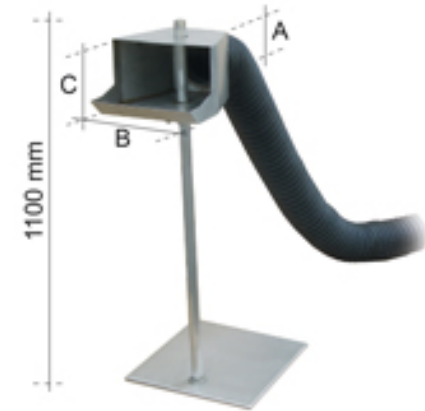
**BPA2-75** STEEL NOZZLE FOR HOSE Ø75MM KIT  
**BPA2-100** STEEL NOZZLE FOR HOSE Ø100MM KIT  
**BPA2-125** STEEL NOZZLE FOR HOSE Ø125MM KIT  
**BPA2-150** STEEL NOZZLE FOR HOSE Ø150MM KIT

Nozzle model	BPA2-75 --- BPA2-100	BPA2-125 --- BPA2-150
Extraction section	2x Ø180mm	2x Ø180mm

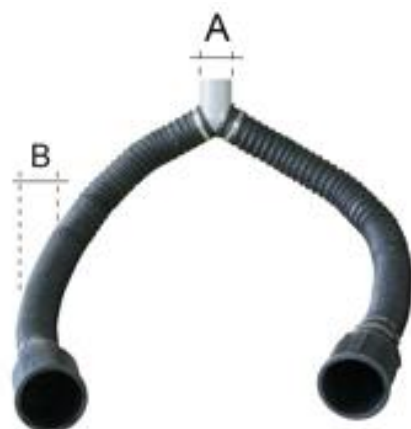
**BPA3** –STEEL SINGLE NOZZLE OF OVAL SECTION WITH PEDESTAL OF HEIGHT REGULATION –  
 EXTRACTION SECTION 360x260MM

**BPA3-100** STEEL NOZZLE FOR HOSE Ø100MM  
**BPA3-125** STEEL NOZZLE FOR HOSE Ø125MM  
**BPA3-150** STEEL NOZZLE FOR HOSE Ø150MM

Extraction section	360x260mm	360x260mm
Extraction section	360x260mm	360x260mm



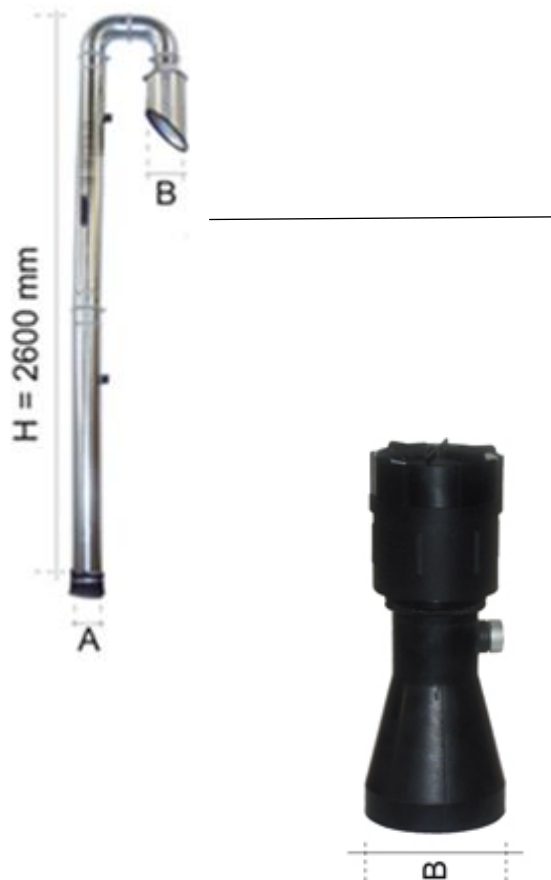
# EXHAUST GAS EXTRACTION NOZZLES



**BYNG** – KIT EQUIPPED WITH DOUBLE BNG RUBBER NOZZLE, TWO PIECES OF ANTICRUSHING FLEXIBLE HOSES OF 2,5MT EACH, SYMMETRIC Y MADE OF SHEET AND CLAMPS – EXTRACTION SECTION Ø140MM  
 POSSIBILITY TO CHANGE THE NOZZLES MODEL

**BYNG-75** DOUBLE MUFFLERS KIT FOR HOSE Ø75MM  
**BYNG-100** DOUBLE MUFFLERS KIT FOR HOSE Ø100MM

Nozzle model	BYNG-75	BYNG-100
Extraction section	Ø140mm	Ø140mm



**BAP** – STEEL NOZZLE FOR THE VERTICAL DISCHARGES  
 – EXTRACTION SECTION Ø160MM (B)

**BAP-125** STEEL NOZZLE FOR HOSE Ø125MM  
**BAP-150** STEEL NOZZLE FOR HOSE Ø150MM

Nozzle model	BAP-125	BAP-150
Extraction section	Ø160mm	Ø160mm

**BFT** – RUBBER NOZZLE WITH ACTIVE COAL FILTER, IDEAL TO BE POSITIONED AT MOVING VEHICLES IN CLOSED PLACES – EXTRACTION SECTION Ø180MM (B)

**BFT-75** NOZZLE WITH FILTER AND CAP FOR VEHICLES UP TO 1200CC  
**BFT-100** NOZZLE WITH FILTER AND CAP FOR VEHICLES STARTING FROM 1200CC

Nozzle model	BFT-75	BFT-100
Extraction section (B)	Ø180mm with cap	Ø180mm with cap



# FLEXIBLE HOSES FOR EXHAUST GAS EXTRACTION

## TFG

FLEXIBLE ANTICRUSHING HOSES FOR EXHAUST GAS EXTRACTION OF CARS AND TRUCKS WITH TEMPERATURES UP TO 180°C WITH PEAKS OF 200°C, RUBBER WITH NYLON SPIRAL

**TFG-75**\_\_ – ( 2,5 – 5 – 7,5 – 10 – 12,5 – 15 – 20 – 40 MT )  
**TFG-100**\_\_ – ( 2,5 – 5 – 7,5 – 10 – 12,5 – 15 – 20 – 40 MT )  
**TFG-125**\_\_ – ( 2,5 – 5 – 7,5 – 10 – 12,5 – 15 – 20 – 40 MT )  
**TFG-150**\_\_ – ( 2,5 – 5 – 7,5 – 10 – 12,5 – 15 – 20 – 40 MT )  
**TFG-200**\_\_ – ( 2,5 – 5 – 7,5 – 10 – 12,5 – 15 – 20 – 40 MT )

Weight per meter of the flexible hoses:

Ø75mm – 0,70 Kg/mt  
Ø100mm – 0,94 Kg/mt  
Ø125mm – 1,30 Kg/mt  
Ø150mm – 1,45 Kg/mt  
Ø200mm – 2,00 Kg/mt



## TFG300

FLEXIBLE HOSES FOR EXHAUST GAS EXTRACTION OF CARS AND TRUCKS WITH TEMPERATURES UP TO 300°C, GLASS FABRIC HOSES WITH SILICON

**TFG300-75**\_\_ – ( 2,5 – 5 – 7,5 – 10 MT )  
**TFG300-100**\_\_ – ( 2,5 – 5 – 7,5 – 10 MT )  
**TFG300-125**\_\_ – ( 2,5 – 5 – 7,5 – 10 MT )  
**TFG300-150**\_\_ – ( 2,5 – 5 – 7,5 – 10 MT )  
**TFG300-200**\_\_ – ( 2,5 – 5 – 7,5 – 10 MT )

Weight per meter of the flexible hoses:

Ø75mm – 0,41 Kg/mt  
Ø100mm – 0,65 Kg/mt  
Ø125mm – 0,80 Kg/mt  
Ø150mm – 0,99 Kg/mt  
Ø200mm – 1,33 Kg/mt



# FLEXIBLE HOSES FOR EXHAUST GAS EXTRACTION



## TFG600

FLEXIBLE HOSES FOR EXHAUST GAS EXTRACTION OF CARS AND TRUCKS WITH TEMPERATURES UP TO 600°C, GLASS FABRIC HOSES WITH STEEL SPIRAL

**TFG600-75**\_\_ – ( 2,5 – 5 – 7,5 – 10 MT )

**TFG600-100**\_\_ – ( 2,5 – 5 – 7,5 – 10 MT )

**TFG600-125**\_\_ – ( 2,5 – 5 – 7,5 – 10 MT )

**TFG600-150**\_\_ – ( 2,5 – 5 – 7,5 – 10 MT )

**TFA600-200**\_\_ – ( 2,5 – 5 – 7,5 – 10 MT )

Weight per meter of the flexible hoses:

Ø75mm – 0,29 Kg/mt

Ø100mm – 0,31 Kg/mt

Ø125mm – 0,33 Kg/mt

Ø150mm – 0,35 Kg/mt

Ø200mm – 0,37 Kg/mt



## TFG1000

FLEXIBLE HOSES FOR EXHAUST GAS EXTRACTION OF CARS AND TRUCKS WITH TEMPERATURES UP TO 1000°C, GLASS FABRIC HOSES WITH STEEL SPIRAL

**TFG1000-75**\_\_ – ( 2,5 – 5 – 7,5 – 10 MT )

**TFG1000-100**\_\_ – ( 2,5 – 5 – 7,5 – 10 MT )

**TFG1000-125**\_\_ – ( 2,5 – 5 – 7,5 – 10 MT )

**TFG1000-150**\_\_ – ( 2,5 – 5 – 7,5 – 10 MT )

**TFG1000-200**\_\_ – ( 2,5 – 5 – 7,5 – 10 MT )

Weight per meter of the flexible hoses:

Ø75mm – 0,29 Kg/mt

Ø100mm – 0,31 Kg/mt

Ø125mm – 0,33 Kg/mt

Ø150mm – 0,35 Kg/mt

Ø200mm – 0,37 Kg/mt

# FLEXIBLE HOSES FOR EXHAUST GAS EXTRACTION

## TFC

FLEXIBLE HOSES FOR EXHAUST GAS EXTRACTION OF CARS AND TRUCKS WITH TEMPERATURES UP TO 110°C. EX.: CONNECTION HOSES BETWEEN A FIXED REEL AND GALVANIZED SHEET RIGID HOSES

**TFC-100**\_\_ – (PER METER, MAXIMUM PIECE 10 MT)

**TFC-125**\_\_ – (PER METER, MAXIMUM PIECE 10 MT)

**TFC-160**\_\_ – (PER METER, MAXIMUM PIECE 10 MT)

**TFC-200**\_\_ – (PER METER, MAXIMUM PIECE 10 MT)

Weight per meter of the flexible hoses:

Ø100mm – 0,025 Kg/mt

Ø125mm – 0,025 Kg/mt

Ø160mm – 0,040 Kg/mt

Ø200mm – 0,040 Kg/mt



## TFA

EXTENSIBLE FLEXIBLE HOSES MADE OF ALUMINUM FOR EXHAUST GAS EXTRACTION OF CARS AND TRUCKS WITH TEMPERATURES UP TO 300°C. Ex: CONNECTION HOSES BETWEEN A FIXED REEL AND GALVANIZED SHEET RIGID HOSES

**TFA-80** – EXTENSIBLE UP TO 3 MT

**TFA-100** – EXTENSIBLE UP TO 3 MT

**TFA-130** – EXTENSIBLE UP TO 3 MT

**TFA-150** – EXTENSIBLE UP TO 3 MT

**TFA-160** – EXTENSIBLE UP TO 3 MT

**TFA-200** – EXTENSIBLE UP TO 3 MT



# ACCESSORIES FOR FLEXIBLE HOSES



## ATR

RAPID ATTACK FOR INTERCHANGING DIFFERENT TYPES OF NOZZLES FOR A SINGLE FLEXIBLE HOSE.  
EQUIPPED WITH MALE + FEMALE

- ATR-75**\_\_ – FOR FLEXIBLE HOSES Ø75MM
- ATR-100**\_\_ – FOR FLEXIBLE HOSES Ø100MM
- ATR-125**\_\_ – FOR FLEXIBLE HOSES Ø125MM
- ATR-150**\_\_ – FOR FLEXIBLE HOSES Ø150MM

**ATRZ** - QUICK CONNECTION IN SHEET METAL TO INTERCHANGE VARIOUS TYPES OF NOZZLES FOR A SINGLE HOSE. COMPLETE WITH MALE + FEMALE

- ATRZ-75**\_\_ – FOR FLEXIBLE HOSES Ø75MM
- ATRZ-100**\_\_ – FOR FLEXIBLE HOSES Ø100MM
- ATRZ-125**\_\_ – FOR FLEXIBLE HOSES Ø125MM
- ATRZ-150**\_\_ – FOR FLEXIBLE HOSES Ø150MM

## APT

EXTENSION ATTACK FOR FLEXIBLE HOSES

- APT-75** – FOR FLEXIBLE HOSES Ø75MM
- APT-100** – FOR FLEXIBLE HOSES Ø100MM
- APT-125** – FOR FLEXIBLE HOSES Ø125MM
- APT-150** – FOR FLEXIBLE HOSES Ø150MM

**FSC** HOSE CLAMP FOR FLEXIBLE HOSES

- FSC-75** – FOR FLEXIBLE HOSES Ø75MM
- FSC-100** – FOR FLEXIBLE HOSES Ø100MM
- FSC-125** – FOR FLEXIBLE HOSES Ø125MM
- FSC-150** – FOR FLEXIBLE HOSES Ø150MM
- FSC-200** – FOR FLEXIBLE HOSES Ø200MM
- FSC-250** – FOR FLEXIBLE HOSES Ø250MM

## AST

SUSPENSION ATTACK OF WALL HOSES

- AST-75100** – FOR FLEXIBLE HOSES Ø75/100MM
- AST-125150** – FOR FLEXIBLE HOSES Ø125/150MM



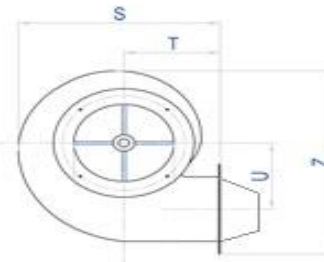
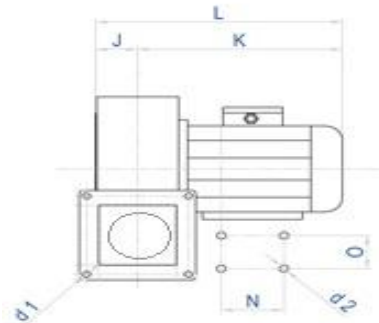
# EXHAUST GAS FANS



# EXHAUST GAS FANS

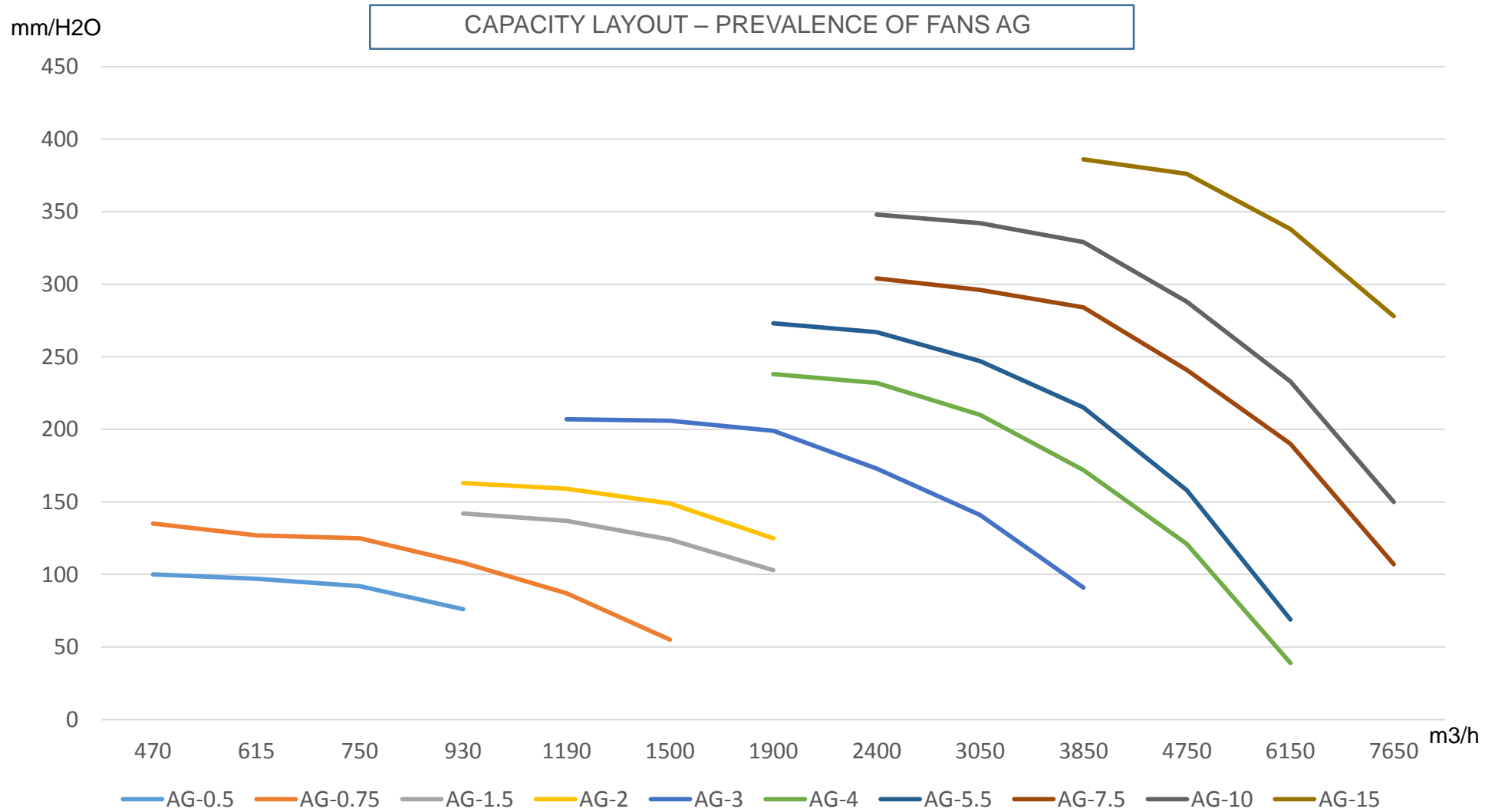


	AG-0.5	AG-0.75	AG-1.5	AG-2	AG-3	AG-4	AG-5.5	AG-7.5	AG-10	AG-15
Kw	0,37	0,55	1,1	1,5	2,2	3	4	5,5	7,5	11
DbA	66	68	72	74	76	79	82	84	86	88
In-Out	Ø125 mm	Ø160 mm	Ø160 mm	Ø160 mm	Ø200 mm	Ø250 mm	Ø315 mm	Ø355 mm	Ø400 mm	Ø500 mm
Volt	400	400	400	400	400	400	400	660	660	660
n°giri	2780	2780	2830	2840	2850	2900	2900	2900	2900	2930
d1	7	7	7	7	9	9	9	9	12	12
d2	10	10	10	10	12	12	12	12	15	15
J	86	95	73	73	115	127	127	141	14	157
L	400	440	377	377	530	590	630	670	670	830
N	180	180	100	100	205	250	250	300	300	415
O	203	203	125	125	234	289	289	337	337	395
S	441	477	335	335	600	655	655	735	735	832
T	195	200	148	148	255	285	285	320	320	360
U	175	202	145	145	253	286	286	321	321	355
Z	526	610	400	400	740	815	815	915	915	1000



**AG**  
**THREE-PHASE CENTRIFUGAL**  
**FANS WITH IP55 MOTORS AND**  
**COMPLETE WITH CIRCULAR ATTACKS**  
**ON SUCTION AND OUTLET**

# EXHAUST GAS FANS



**AG**

THREE-PHASE CENTRIFUGAL FANS WITH IP55 MOTORS AND COMPLETE WITH CIRCULAR ATTACKS ON SUCTION AND OUTLET

# ACCESSORIES OF EXHAUST GAS FANS



## AG-ME

WALL FIXING SHELF FOR FAN, VERSION **AG-ME1** FOR FANS UP TO 3HP, VERSION **AG-ME2** FOR FANS UP TO 10HP

## AG-CM

PROTECTIVE MOTOR COVER, VERSION **AG-CM1** FOR FANS UP TO 5.5HP, VERSION **AG-CM2** FOR FANS UP TO 10HP

## AG-P

ANTI-VIBRATION FEET FOR FANS, TO MATCH WITH THE SHELF AG-ME

## AG-Q1

ELECTRIC BOARD ON-OFF WITH BREAKER, FOR FANS UP TO 3HP

## AG-Q2

ELECTRIC PANEL ON-OFF WITH BREAKER, FOR FANS UP TO 15HP

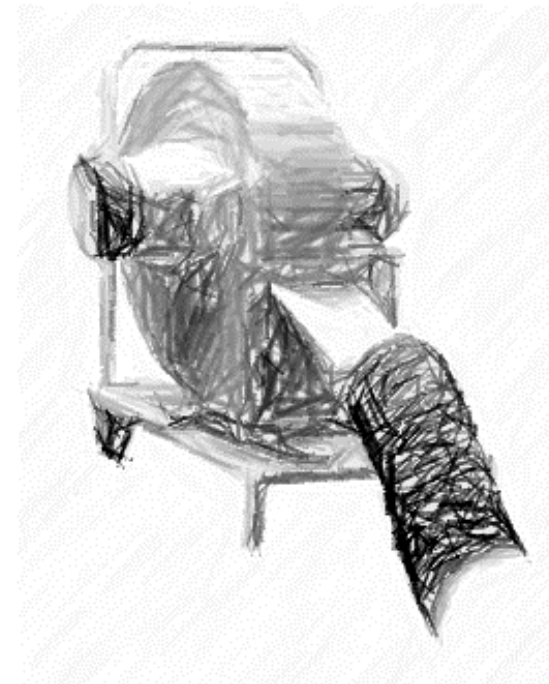
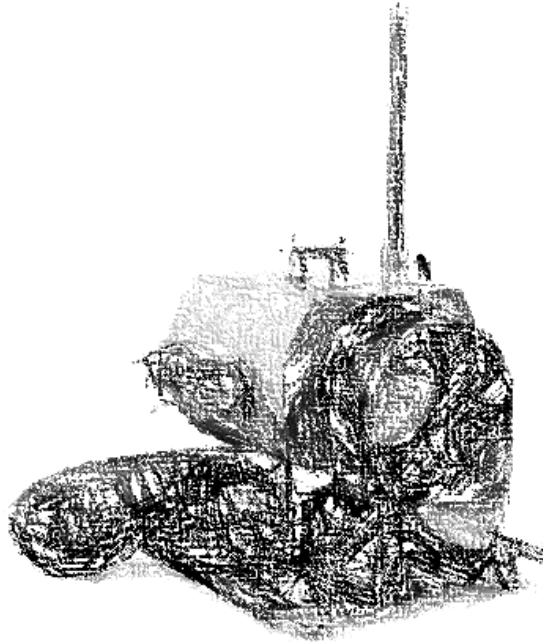
## AG-BOX

SOUDPROOFING BOX FOR HELICAL FANS

Fan model	Lenght	Width	Height	Weight Kg
AG-2BOX	600	600	600	50
AG-3BOX	600	600	600	50
AG-4BOX	1290	1040	1040	174
AG-5.5BOX	1290	1040	1040	174
AG-7.5BOX	1290	1040	1040	223



# MOBILE FANS



# MOBILE FANS



## AG-CAR1

EXHAUST GAS EXTRACTION MOBILE GROUP EQUIPPED WITH 10 MT EXPULSION HOSES AND BOARD ON-OFF . POSSIBILITY TO REGULATE THE HEIGHT OF THE SUCTION MOUTH

1,5Hp/1,1Kw	2000mc/h	500mm	545mm	1100mm(h) adjustable
-------------	----------	-------	-------	----------------------

## AG-CAR2

EXHAUST GAS EXTRACTION MOBILE GROUP EQUIPPED WITH 10 MT EXPULSION HOSES, 10MT ANTICRUSHING HOSES IN SUCTION Ø150MM WITH A RUBBER NOZZLE BNG-150/180 AND BOARD ON-OFF

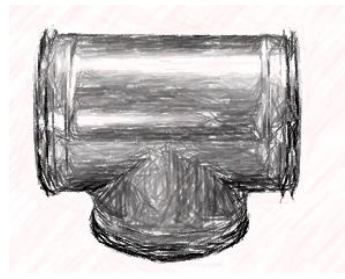
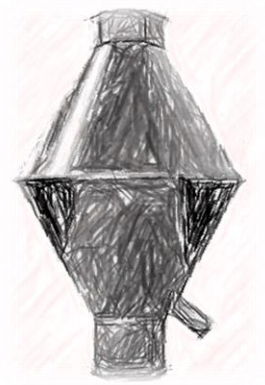
2Hp/1,5Kw	2000mc/h	600mm	700mm	900mm (h) fixed
230V mono-phase	86 dba			67Kg

## AG-CAR3

EXHAUST GAS EXTRACTION MOBILE GROUP FOR TRUCKS OR SPECIAL VEHICLES, 2800 OR 1400 RPM. EQUIPPED WITH 10MT EXPULSION HOSES, TWO PIECES OF ANTI-CRUSHING HOSES IN SUCTION OF 7,5MT EACH. Ø150MM RESISTANT TO 180°C, TWO HOSES IN SUCTION FOR TEMPERATURES UP TO 400°C OF 2,5MT EACH. Ø150MM AND TWO STEEL MOBILE NOZZLES WITH HEIGHT REGULATION SUPPORTS (UP TO 2 MT)

5,5Hp/4Kw	4000mc/h	600mm (x3pcs)	700mm (x3pcs)	da 900 a 2000mm (h)
400V three-phase	88 dba	n°3 portable extraction system		170Kg

# ACCESSORIES FOR EXHAUST GAS EXTRACTION



# ACCESSORIES FOR EXHAUST GAS EXTRACTION



**TZG-\_\_\_** GALVANIZED SHEET HOSES L=3000MM

AVAILABLE SECTIONS: Ø100 – 125 – 160 – 200 – 250 – 315 MM



**NZG-\_\_\_** JUNCTION NIPPLE WITH SEALING GASKETS

AVAILABLE SECTIONS: Ø100 – 125 – 160 – 200 – 250 – 315 MM



**CZG-\_\_\_90** 90° CURVE WITH SEALING GASKETS

AVAILABLE SECTIONS: Ø100 – 125 – 160 – 200 – 250 – 315 MM



**CZG-\_\_\_45** 45° CURVE WITH SEALING GASKETS

AVAILABLE SECTIONS: Ø100 – 125 – 160 – 200 – 250 – 315 MM



**CRG \_\_\_ - \_\_\_** REDUCTION CONE WITH SEALING GASKETS

AVAILABLE SECTIONS: Ø100 – 125 – 160 – 200 – 250 – 315 MM



**DZG-\_\_\_** TEE DEVIATION WITH SEALING GASKETS

AVAILABLE SECTIONS: Ø100 – 125 – 160 – 200 – 250 – 315 MM



# ACCESSORIES FOR EXHAUST GAS EXTRACTION

## **SZG-\_\_\_** GATE VALVE WITH SEALING GASKETS

AVAILABLE SECTIONS: Ø100 – 125 – 160 – 200 – 250 – 315 MM



## **SILZG-\_\_\_** AIR SILENCER WITH SEALING GASKETS

AVAILABLE SECTIONS: Ø100 – 125 – 160 – 200 – 250 – 315 MM



## **GZG-\_\_\_** COUPLING VIBRATION REDUCER WITH SEALING GASKETS

AVAILABLE SECTIONS: Ø100 – 125 – 160 – 200 – 250 – 315 MM



## **COZG-\_\_\_** HORIZONTAL EXPULSION TERMINAL WITH SEALING GASKETS

AVAILABLE SECTIONS: Ø100 – 125 – 160 – 200 – 250 – 315 MM



## **CVZG-\_\_\_** VERTICAL EXPULSION TERMINAL WITH SEALING GASKETS

AVAILABLE SECTIONS: Ø100 – 125 – 160 – 200 – 250 – 315 MM



# ACCESSORIES FOR EXHAUST GAS EXTRACTION



**AZG-\_\_\_\_** ADAPTOR FROM CUFFED OUT TO SMOOTH

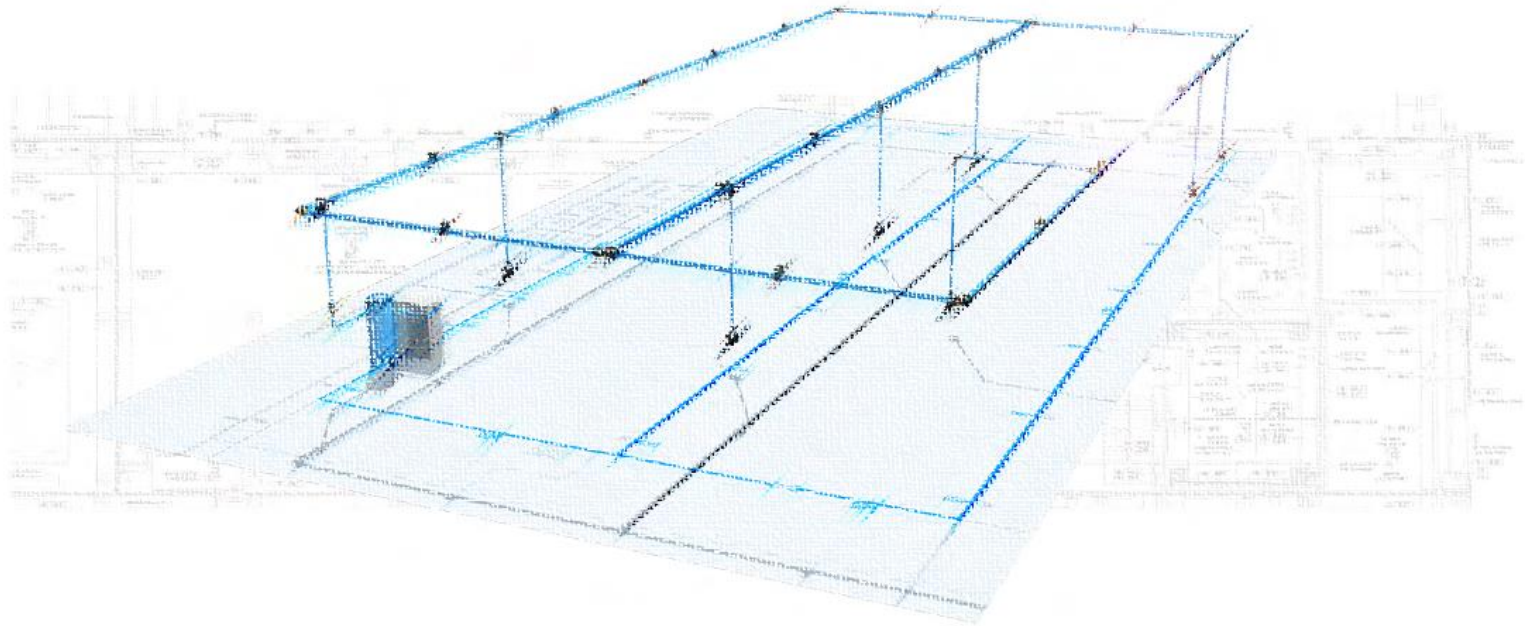
AVAILABLE SECTIONS FOR HOSES: Ø100 – 125 – 160 – 200 – 250 – 315 MM



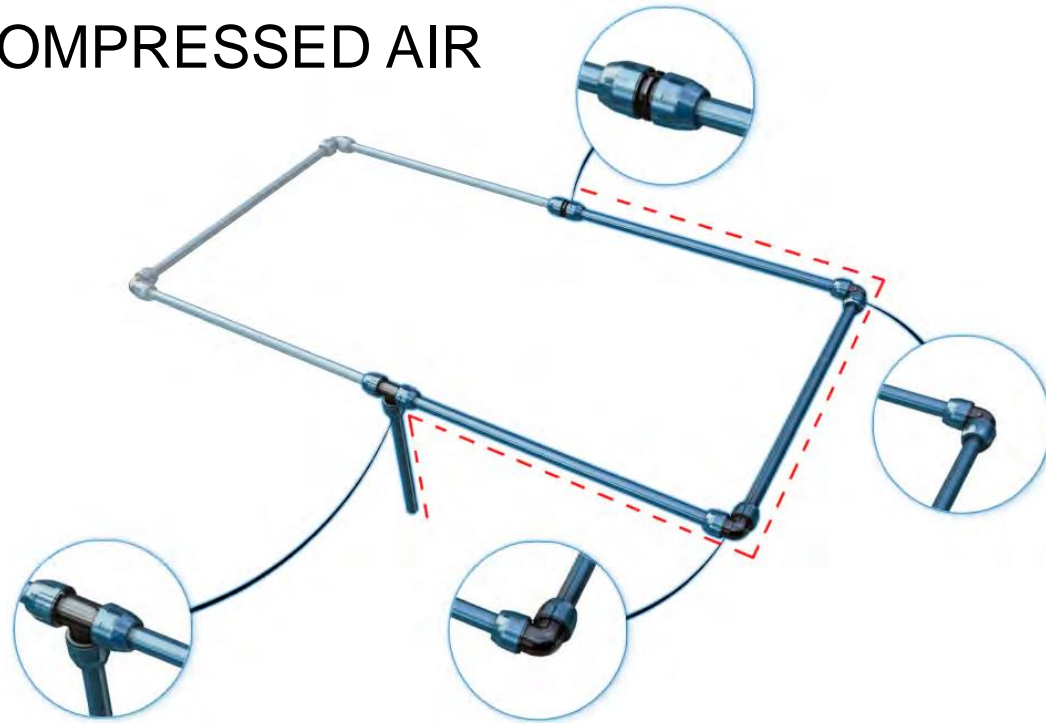
**CSZG-\_\_\_\_** COLLAR WITH SEALING FOR COILED PIPING WITH M8 BOLT

AVAILABLE SECTIONS FOR HOSES: Ø100 – 125 – 160 – 200 – 250 – 315 MM

# COMPRESSED AIR DISTRIBUTION



# COMPRESSED AIR



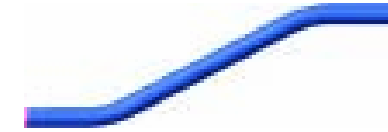
**ROUND EXTRUDED ALUMINUM HOSES**  
**AVAILABLE DIMENSIONS: Ø20 – Ø25 – Ø32MM**  
**TECHNOPOLYMER FITTINGS WITH OGIVE SEAL 20BAR**



# COMPRESSED AIR DISTRIBUTION

**QLTUAL6020**  
**QLTUAL6025**  
**QLTUAL6032**

BLU ALUMINUM HOSE, THIKNESS 1,3MM – LENGHT 6 MT



**QLTUAL4020**  
**QLTUAL4025**  
**QLTUAL4032**

BLU ALUMINUM HOSE, THIKNESS 1,3MM – LENGHT 4 MT



**QLTUALGY6020**  
**QLTUALGY6025**  
**QLTUALGY6032**

GREY ALUMINUM HOSE, THIKNESS 1,3MM – LENGHT 6 MT



**QLTUALG6020**  
**QLTUALG6025**

GREEN ALUMINUM HOSE, THIKNESS 1,3MM – LENGHT 6 MT



**QLMAPA020**  
**QLMAPA025**  
**QLMAPA032**

JUNCTION NIPPLE WITH OGIVE





# COMPRESSED AIR DISTRIBUTION



**QLGO90PA020**  
**QLGO90PA025**  
**QLGO90PA032**

CURVE 90° WITH OGIVE



**QLGO45PA020**  
**QLGO45PA025**  
**QLGO45PA032**

CURVE 45° WITH OGIVE



**QLTEPA020**  
**QLTEPA025**  
**QLTEPA032**

T DEVIATION WITH OGIVES



**QLTRPA025020**  
**QLTRPA032020**  
**QLTRPA032025**

T DEVIATION WITH REDUCTION AND OGIVES



**QLDERPA025020**  
**QLDERPA032020**

QUICK BRANCH PLUG- RING Ø25-Ø32 – DESCENT Ø20 WITH OGIVE

# COMPRESSED AIR DISTRIBUTION

**QLMNPA020048**  
**QLMNPA020068**  
**QLMNPA025048**  
**QLMNPA025068**  
**QLMNPA025088**  
**QLMNPA032088**

JUNCTION Ø – INCH WITH OGIVE  
048 (1/2'M)  
068 (3/4'M)  
088 (1'M)

**QLAPLFRALVA020**

WALL APPLIQUE FOR HOSE Ø20MM, CLOSING VALVE AND 3 OUTLETS 1/2'F

**QLAPLAFRALVA020**

WALL APPLIQUE FOR HOSE Ø20MM, CLOSING VALVE AND 4 OUTLETS 1/2'F

**QLFLEX025**  
**QLFLEX032**

DILATATION COMPENSATOR L=1MT, TO BE CONNECTED TO JUNCTION NIPPLES



# COMPRESSED AIR DISTRIBUTION



**QLVAF020048AL**  
**QLVAF025068AL**

JUNCTION Ø – INCH WITH CLOSING VALVE AND OGIVE

048 (1/2'F)  
068 (3/4'F)



**QLCAPA020**  
**QLCAPA025**  
**QLCAPA032**

FINAL CAP FOR HOSE WITH OGIVE



**DIRFEM8020CF**  
**DIRFEM8025CF**  
**DIRFEM8032CF**

HOSE STOP WITH M8 FIXING INSERT





ELEVATE

LV8 ELEVATE

Via A. Novella 46, 43058 Sorbolo (PR) Italy

PH.: +39 0522 687907 press n.2

FAX: +39 0522 684498

E-MAIL: [info@lv8.it](mailto:info@lv8.it)

[www.lv8elevate.it](http://www.lv8elevate.it)